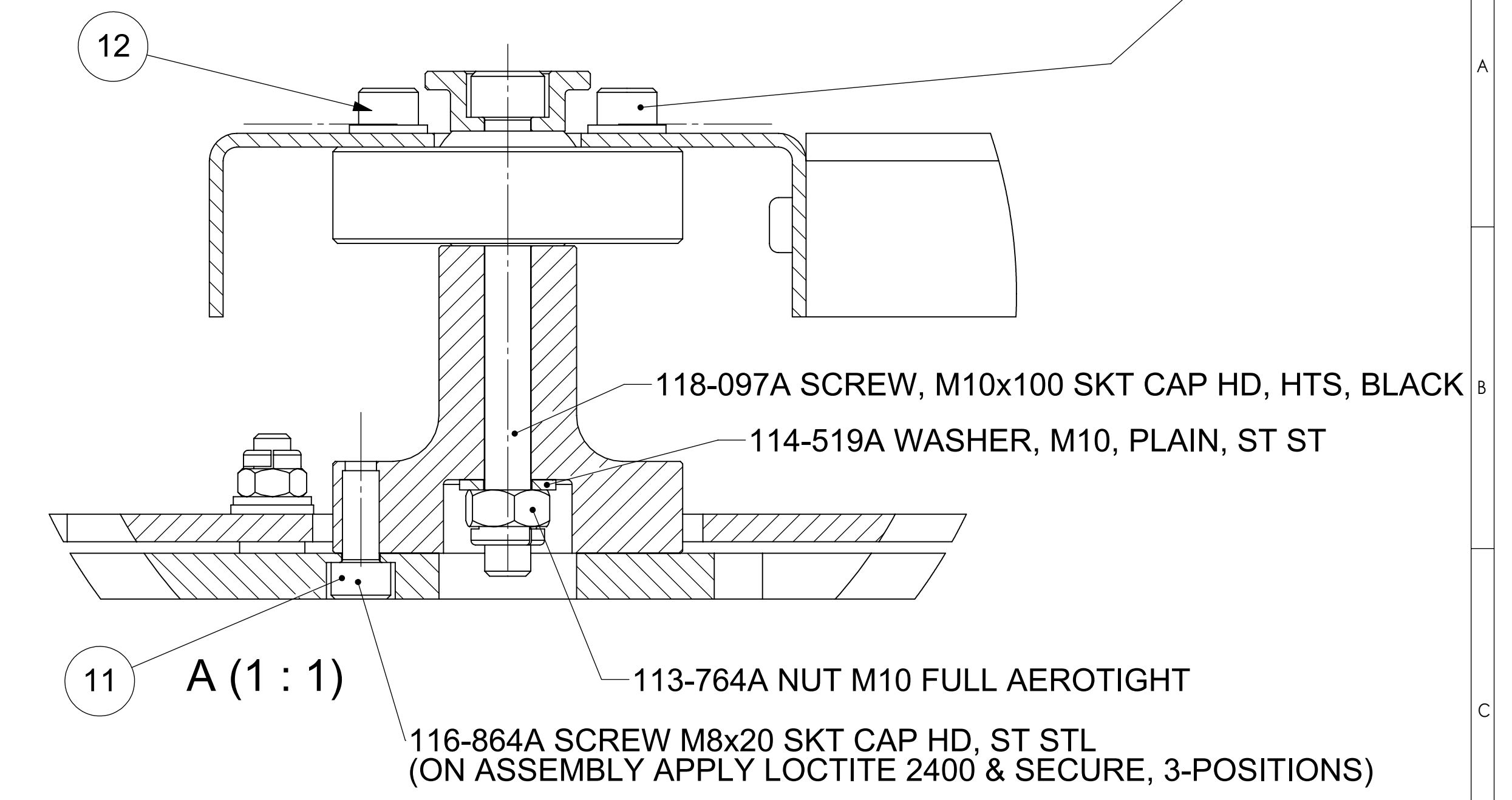


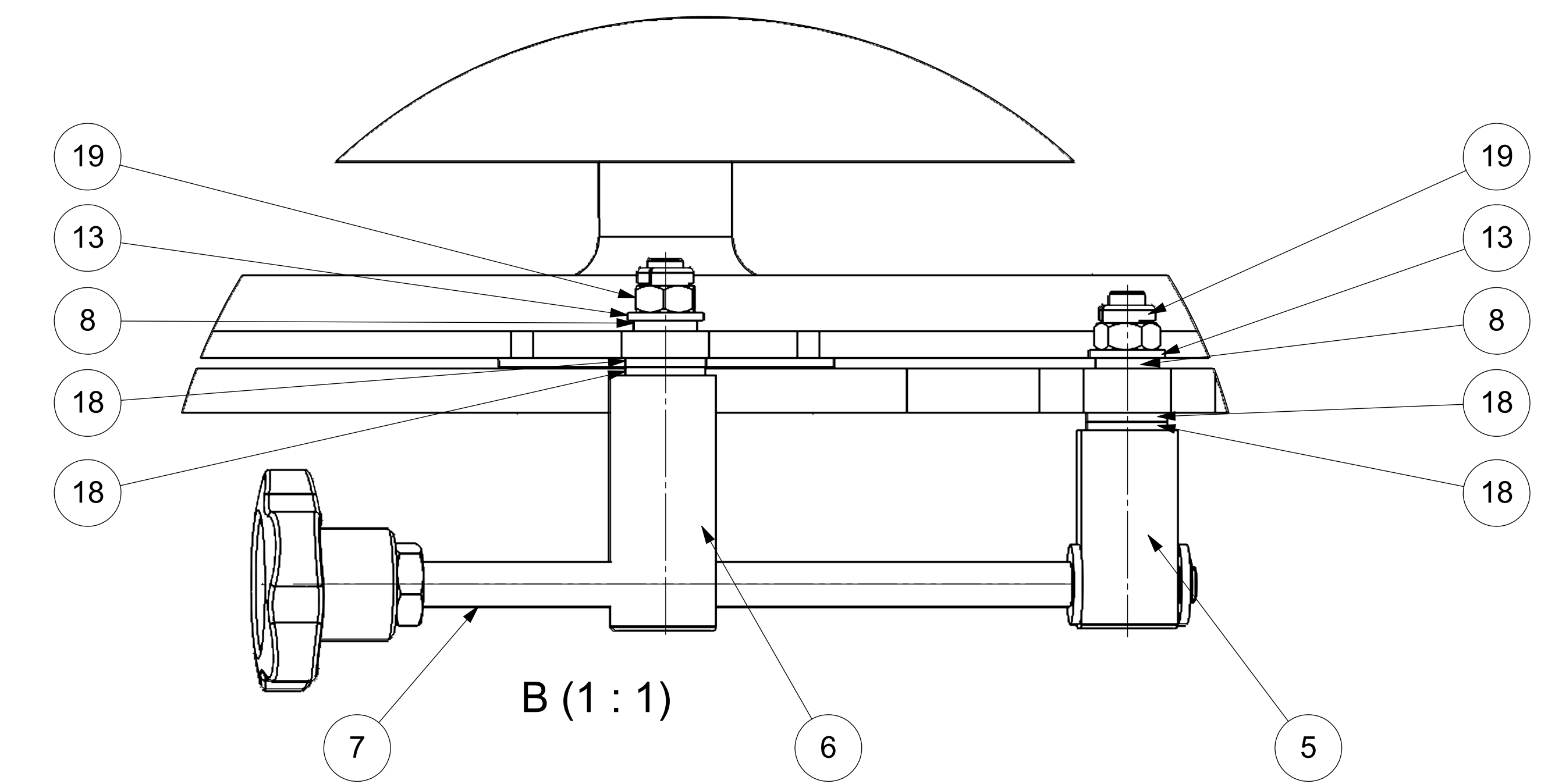
IF IN DOUBT, ASK.

ITEM NO.	QTY.	PART NO	DESCRIPTION	REVISION
1	1	117-703	FRAME ASSY, WELDED, HL LASER	B
2	1	117-415	CENTRE SUPPORT ASSEMBLY, IGUS KGLM-20	C
3	1	117-411	ADJUSTMENT ASSEMBLY	C
4	2	117-653	REAR ADJUSTER ASSY, ACETAL	C
5	1	117-419	YAW PIN ASSY, FIXED, RIGGING FRAME	A
6	1	117-420	YAW PIN ASSY, RIGGING FRAME	A
7	1	116-142	ADJUSTING BAR ASSY, M10	A
8	2	116-143	BUSH, NYLON, ID 8.1, OD 10	A
9	4	104-687	STACKING PIN ASSEMBLY	B
10	5	116-864	SCREW M8x20 SKT CAP HD, ST STL	A
11	5	001-182	M8 x 25 CAP HD	A
12	4	116-699	WASHER M8 SPRING, ST ST	A
13	9	116-869	WASHER, M8 PLAIN, ST STL	A
14	4	116-874	SCREW M4x8 SKT BUTTON HD, ST STL	A
15	4	117-659	SCREW, M4x20 SKT CAP HD ST ST	A
16	4	103-295	WASHER M4 PLAIN ST ST	A
17	4	109-444	WASHER M4 SINGLE COIL, SQUARE SECTION	A
18	4	108-527	WASHER, M8, PLAIN, NYLON	A
19	2	115-515	NUT M8 FULL AEROTIGHT	A
20	6	117-046	SCREW M6x16 SKT CAP HD, ST ST	A
21	1	117-921	SHIPPING CARTON, RIGGING FRAME, HL LASER GEN II	A
22	1	117-914	FOAM PLINTH, HL LASER RIGGING FRAME	A

117-705B RIGGING FRAME ASSY, HL LASER  
(ON ASSEMBLY APPLY LOCTITE 2400 & SECURE, 3-POSITIONS)



SECTION VIEW - CENTRE SUPPORT ASSEMBLY



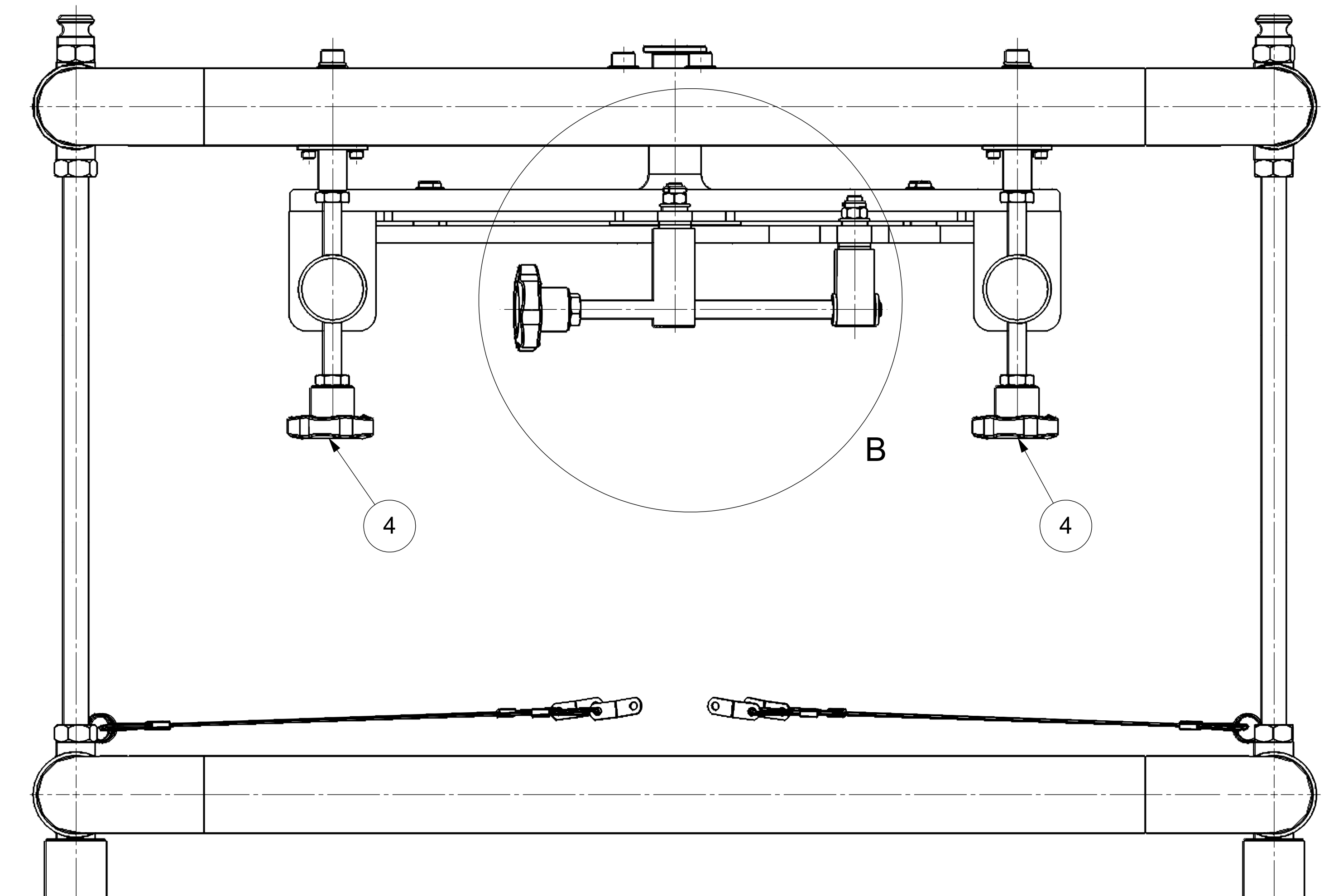
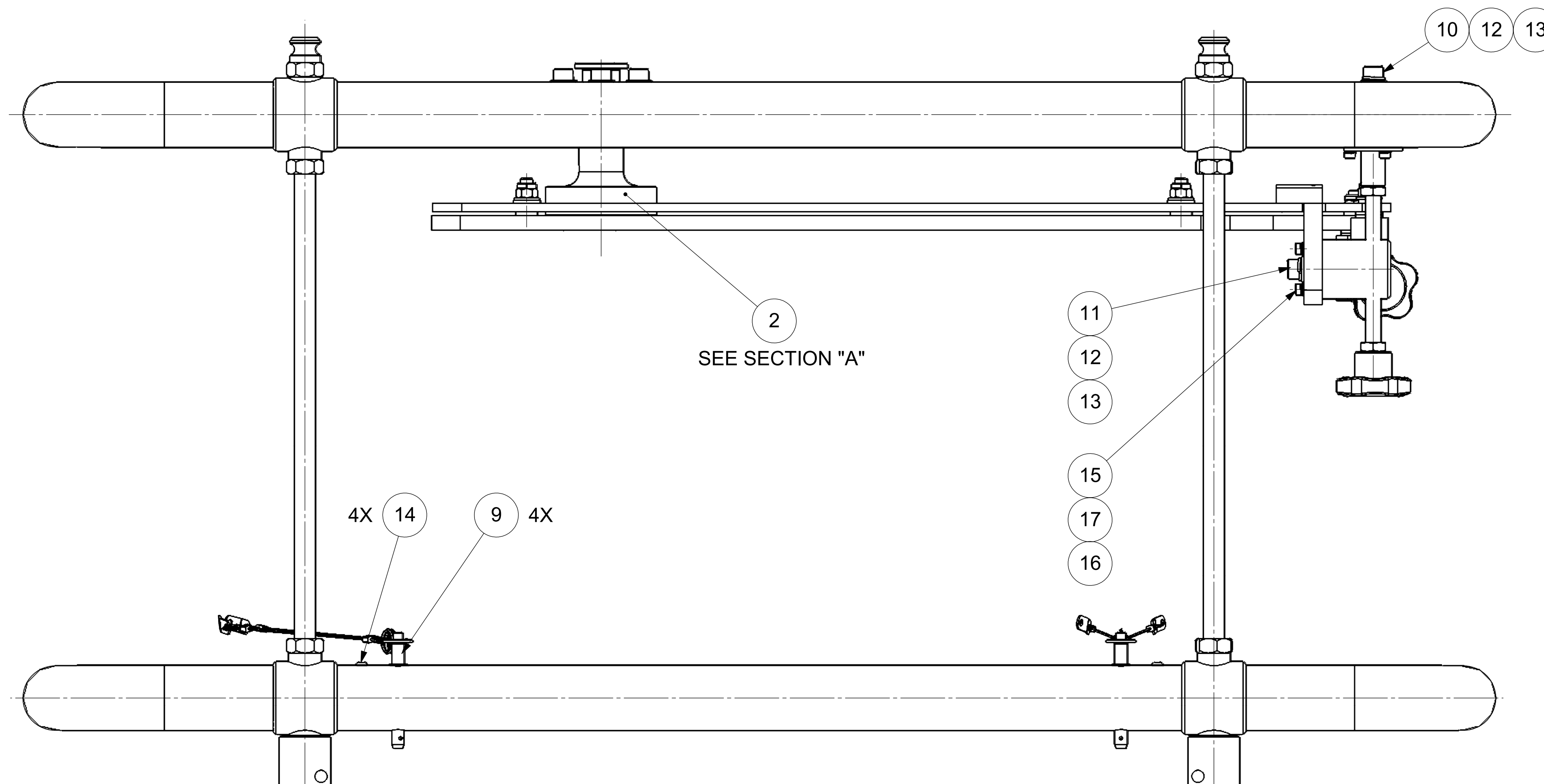
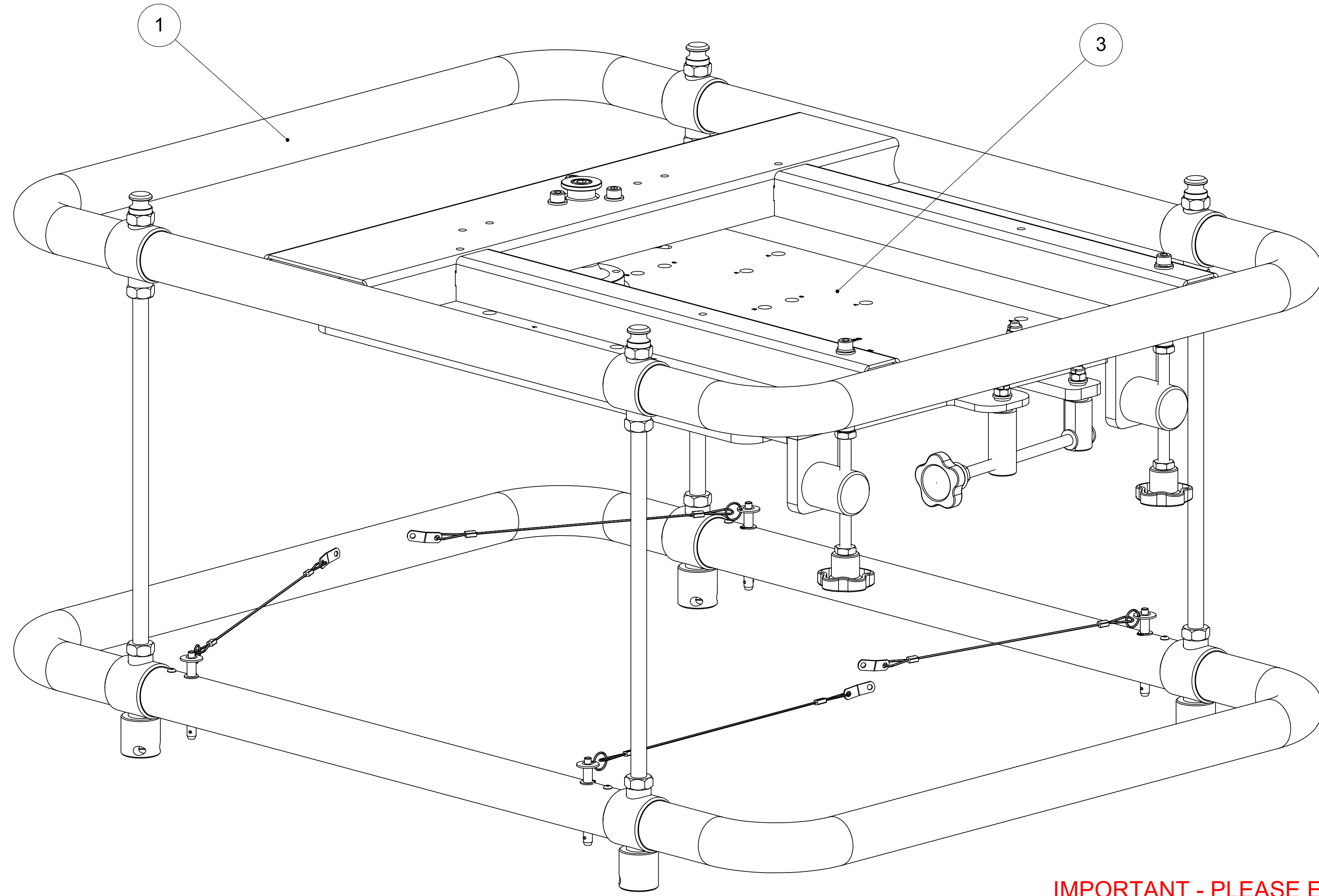
YAW ADJUSTMENT DETAILS

**IMPORTANT - PLEASE ENSURE THAT THE FOLLOWING ITEMS ARE PACKED IN THE SHIPPING CARTON WITH THE RIGGING FRAME WHEN DISPATCHED -**

117-046 M6 x 16 SOCKET CAP HEAD SCREW 6-off

117-914 FOAM PLINTH, RIGGING FRAME, INSIGHT 1-off

QI10526 FITTING PROJECTOR TO RIGGING FRAME INSTRUCTIONS 1-off



REV	NO.	DESCRIPTION	REFER TO	DATE	REMARKS
A	1				
B	2				

ITEM NO.	QTY.	PART NO	DESCRIPTION	REVISION
7				
8				
9				
10				
11				
12				
13				
14				
15				
16				
17				
18				
19				

<p>CAO GENERATED DRAWING DO NOT MAKE UNLESS CHANGES</p>	<p>DATE: 15-09-16</p>	<p>REVISION: B</p>	<p>DATE: 19-02-16</p>	<p>SCALE: 1:2</p>	<p>TITLE: RIGGING FRAME ASSY, HL LASER</p>	<p>COMPONENT OR DRG. NO.: 117-705</p>	<p>ADDRESS: 1 OF 2</p>
---	-----------------------	--------------------	-----------------------	-------------------	--	---------------------------------------	------------------------