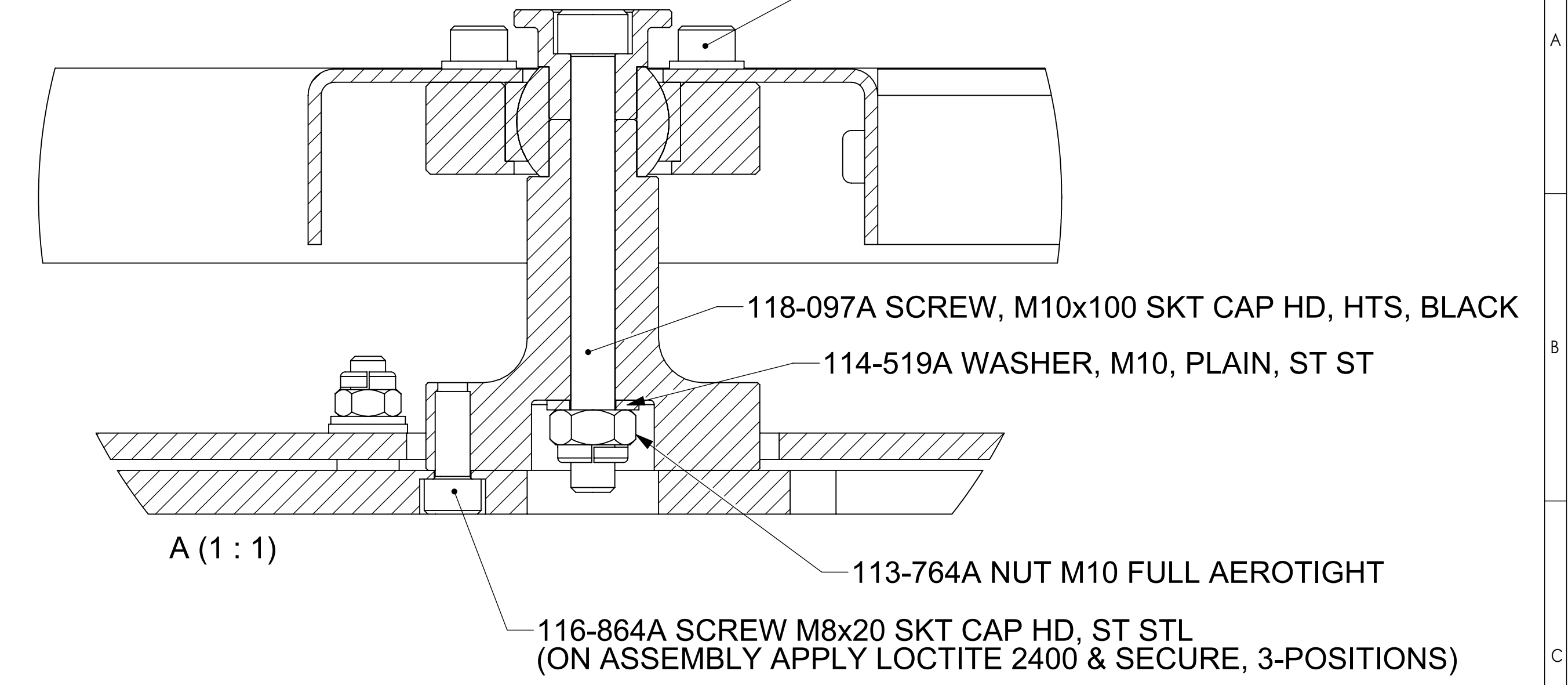
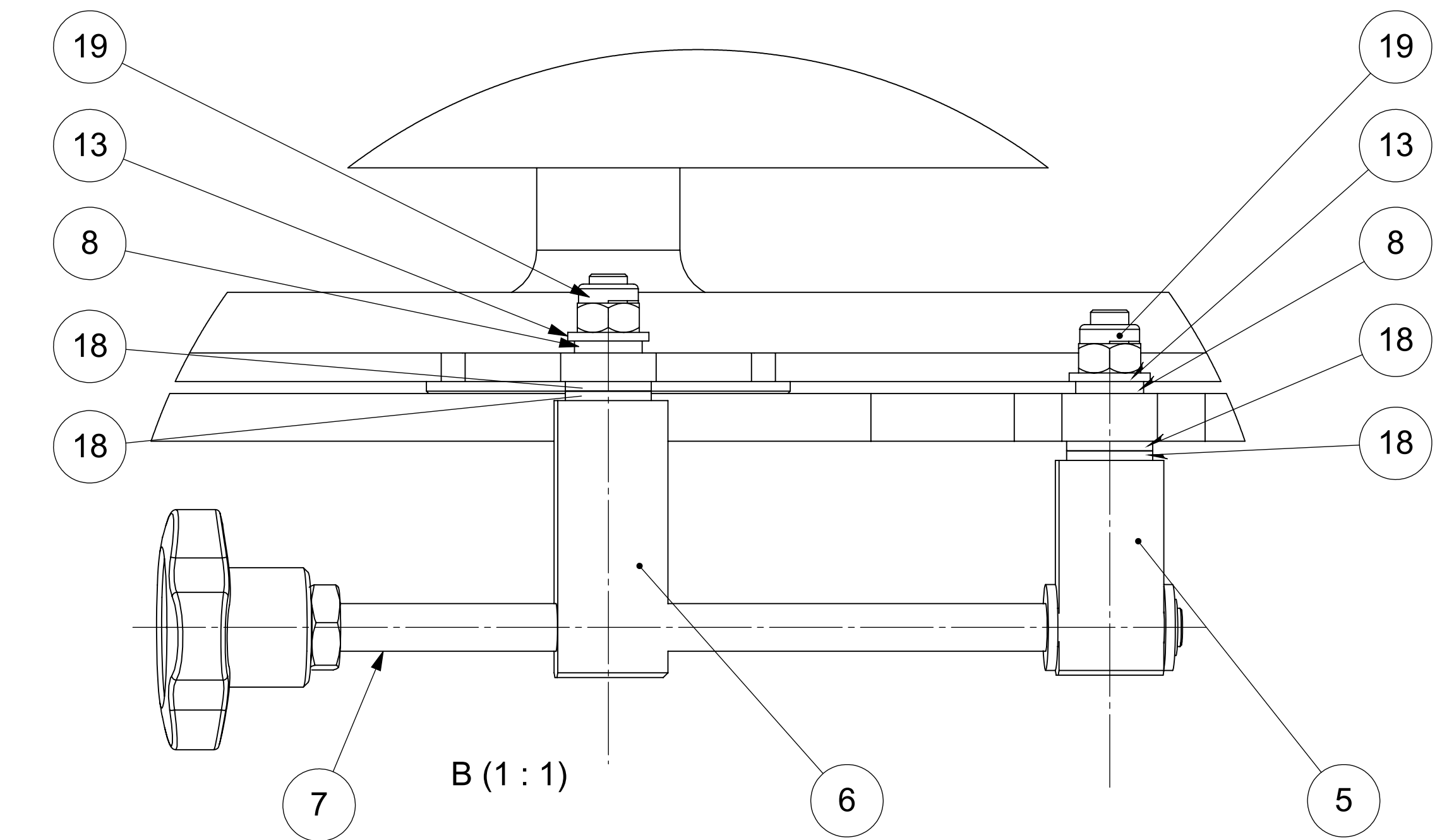


IF IN DOUBT, ASK.

001-182A M8 x 25 CAP HD  
(ON ASSEMBLY APPLY LOCTITE 2400 & SECURE, 3-POSITIONS)

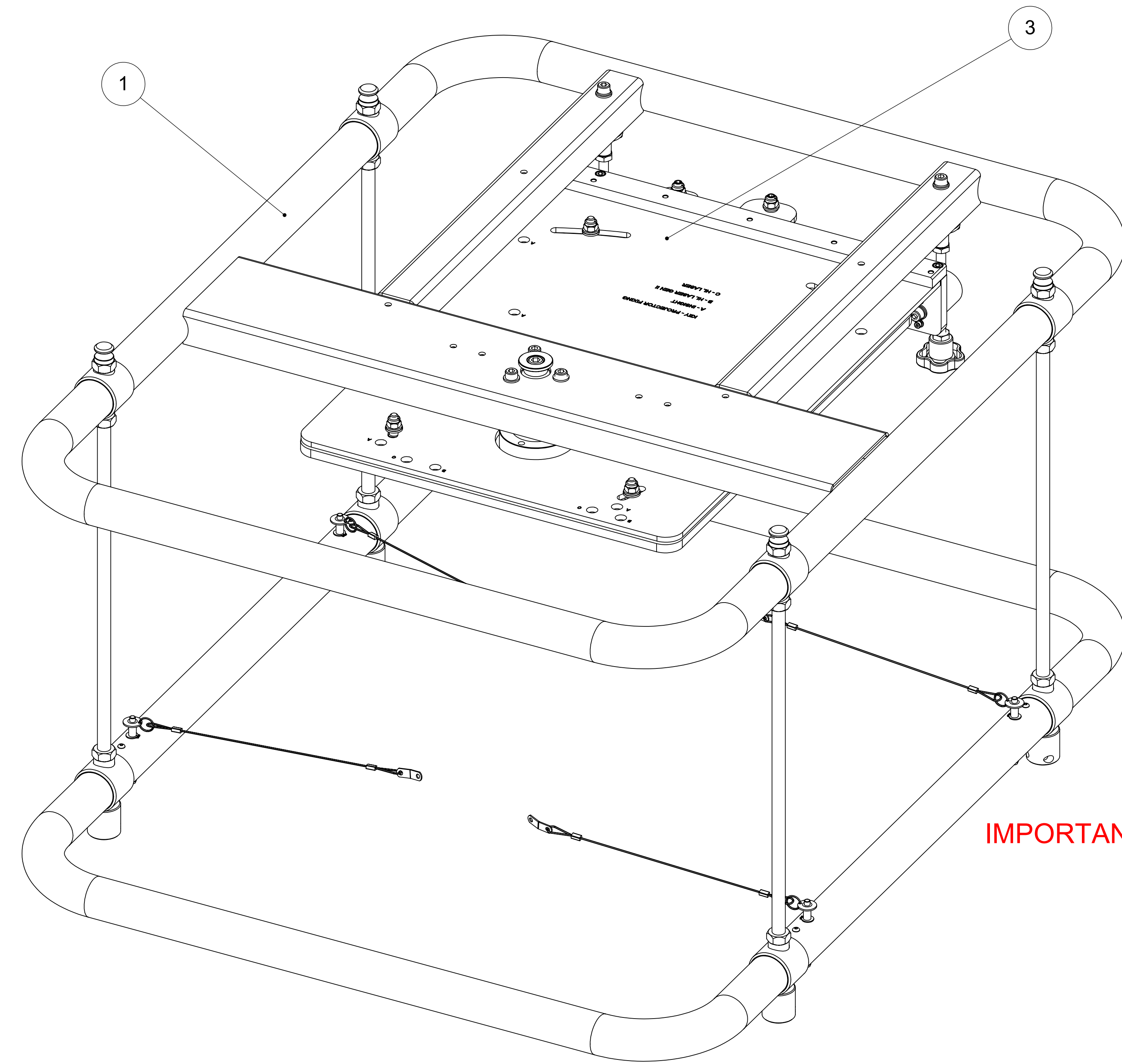


SECTION VIEW - CENTRE SUPPORT ASSEMBLY



YAW ADJUSTMENT DETAILS

ITEM NO.	QTY	PART NO	DESCRIPTION	REVISION
1	1	116-125	MAIN FRAME ASSY, RIGGING FRAME, INSIGHT	C
2	1	117-415	CENTRE SUPPORT ASSEMBLY, IGUS KGLM-20	C
3	1	117-411	ADJUSTMENT ASSEMBLY	C
4	2	117-653	REAR ADJUSTER ASSY, ACETAL	C
5	1	117-419	YAW PIN ASSY, FIXED, RIGGING FRAME	A
6	1	117-420	YAW PIN ASSY, RIGGING FRAME	A
7	1	116-142	ADJUSTING BAR ASSY, M10	A
8	2	116-143	BUSH, NYLON, ID 8.1, OD 10	A
9	4	104-687	STACKING PIN ASSEMBLY	B
10	5	116-864	SCREW M8x20 SKT CAP HD, ST STL	A
11	5	001-182	M8 x 25 CAP HD	A
12	5	116-699	WASHER M8 SPRING, ST ST	A
13	9	116-869	WASHER, M8 PLAIN, ST STL	A
14	4	116-874	SCREW M4x8 SKT BUTTON HD, ST STL	A
15	4	117-659	SCREW, M4x20 SKT CAP HD ST ST	A
16	4	103-295	WASHER M4 PLAIN ST ST	A
17	4	109-444	WASHER M4 SINGLE COIL, SQUARE SECTION	A
18	4	108-527	WASHER, M8, PLAIN, NYLON	A
19	2	115-515	NUT M8 FULL AEROTIGHT	A
20	1	116-836	FOAM CRADLE, RIGGING FRAME, INSIGHT	A
21	1	116-868	SHIPPING CARTON, RIGGING FRAME, INSIGHT	A

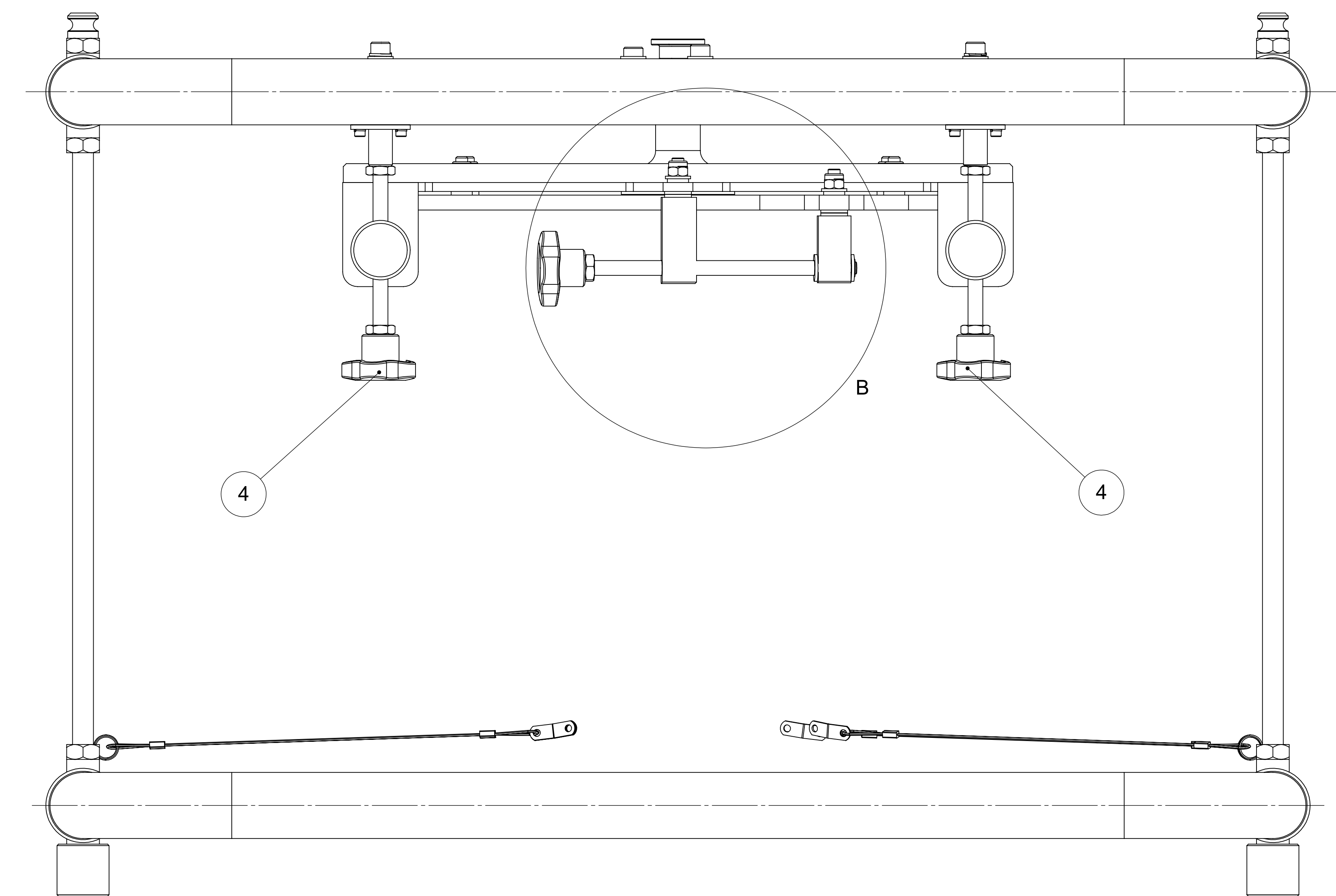
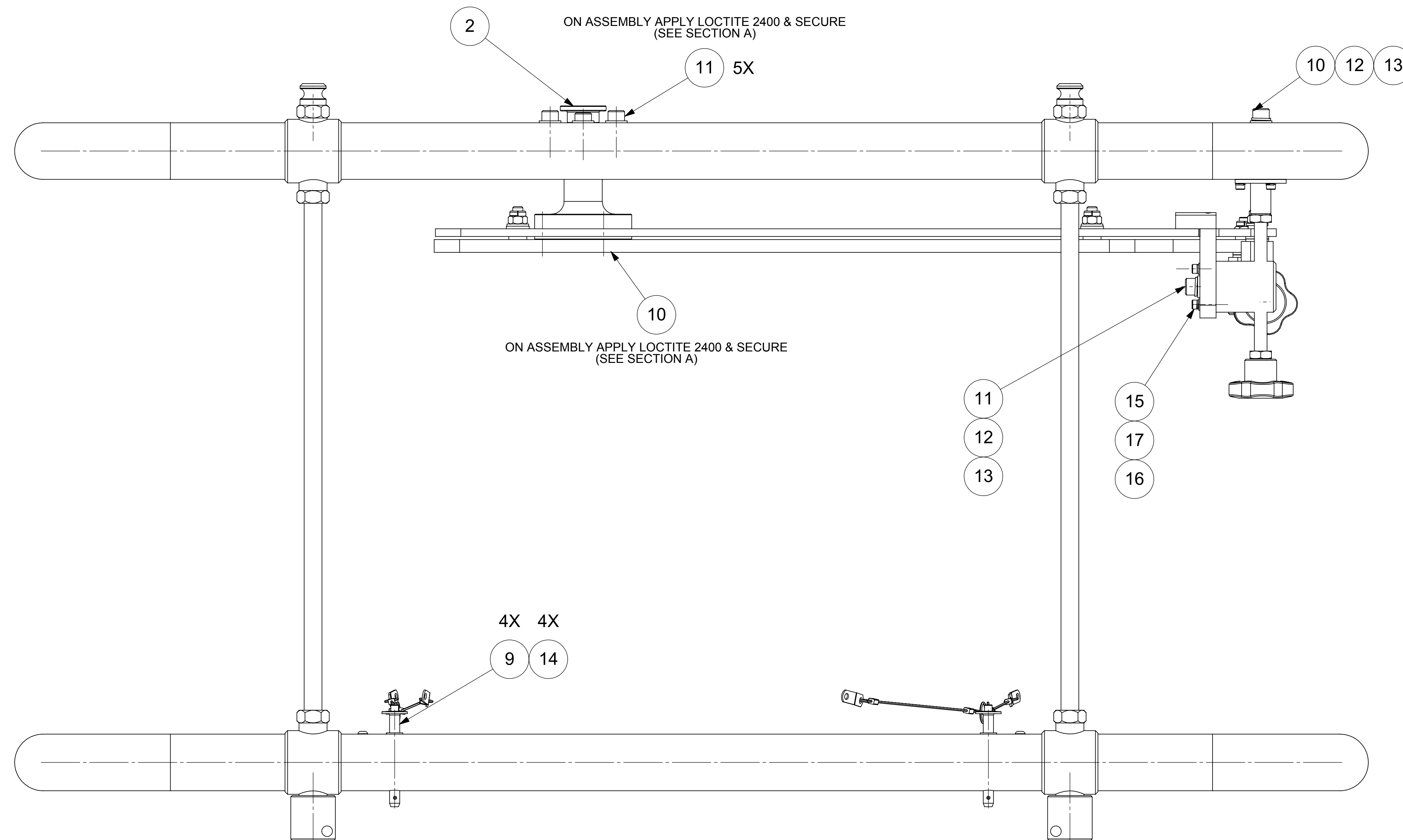


**IMPORTANT - PLEASE ENSURE THAT THE FOLLOWING ITEMS ARE PACKED IN THE SHIPPING CARTON WITH THE RIGGING FRAME WHEN DISPATCHED -**

**117-046 M6 x 16 SOCKET CAP HEAD SCREW 10-off**

**116-836 FOAM CRADLE, RIGGING FRAME, INSIGHT 1-off**

**QI 483 FITTING PROJECTOR TO RIGGING FRAME INSTRUCTIONS 1-off**



REV	NO	DESCRIPTION	REFER TO	DATE	REMARKS
7					
6					
5					
4					
3					
2					
1					

REV	NO	DESCRIPTION	REFER TO	DATE	REMARKS
7					
6					
5					
4					
3					
2					
1					

CAD GENERATED DRAWING DO NOT MAKE MANUAL CHANGES		DIMENSIONS IN MILLIMETRES	DIMENSIONS IN MILLIMETRES	DIMENSIONS IN MILLIMETRES
116-125 B TO C 117-415 B TO C 117-411 B TO C 117-653 B TO C	REV. C DATE 17.08.16	DRAWN DS DATE 22-10-14	ORIGINAL 4:2 SCALE DS DATE 22-10-14	DIGITAL PROJECTION MIDDLETON M24 1XX COMPONENT OR DRG. NO. 116-064 ASSET 1 OF 3