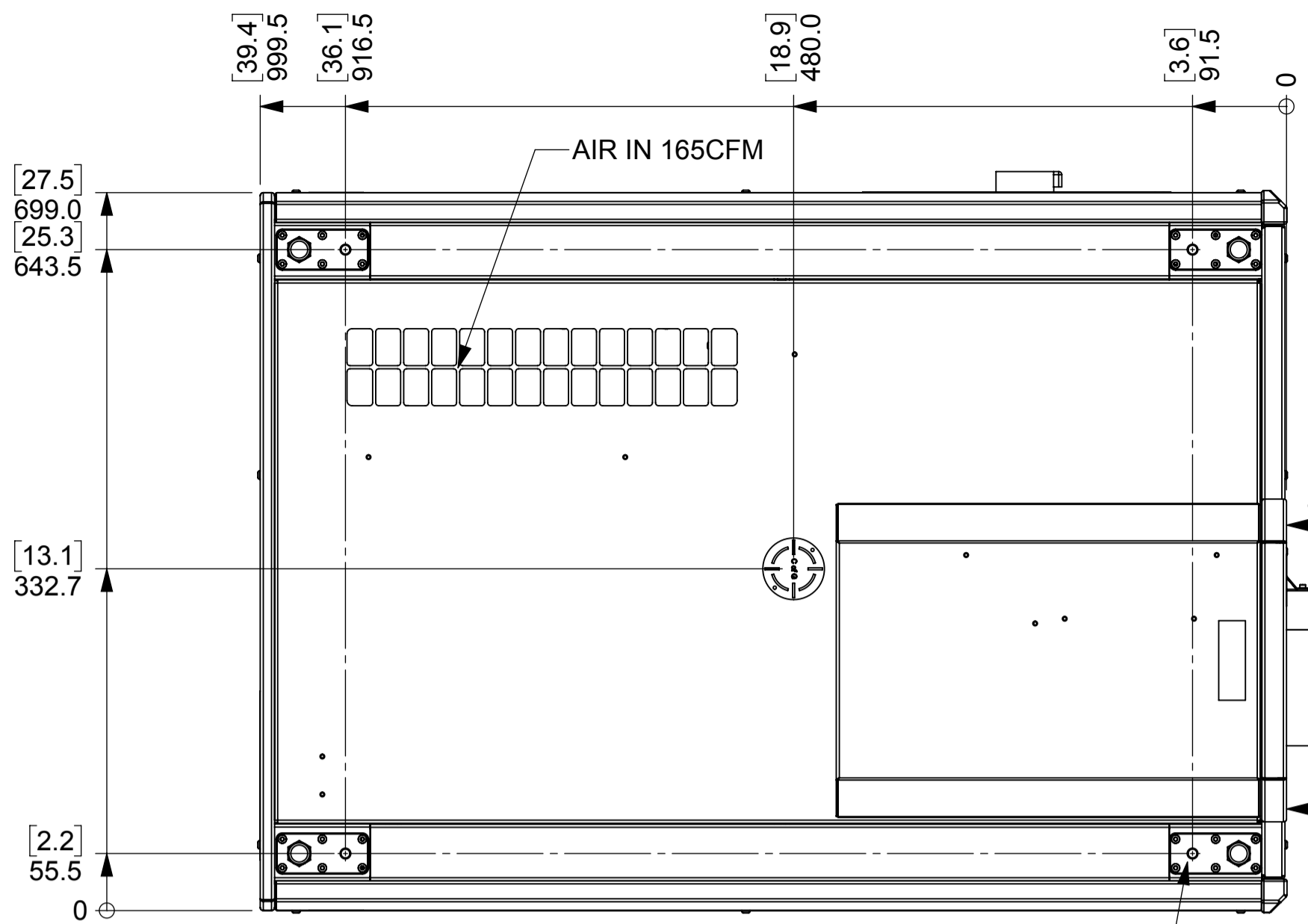
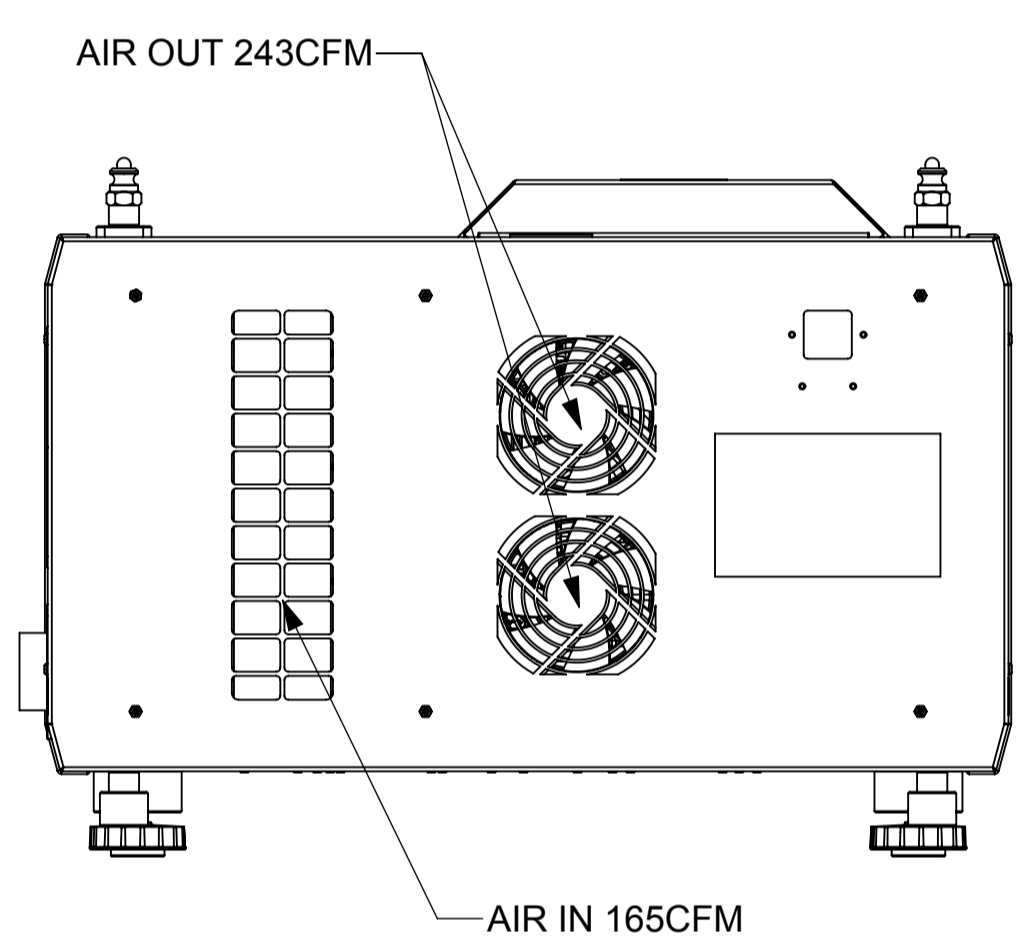
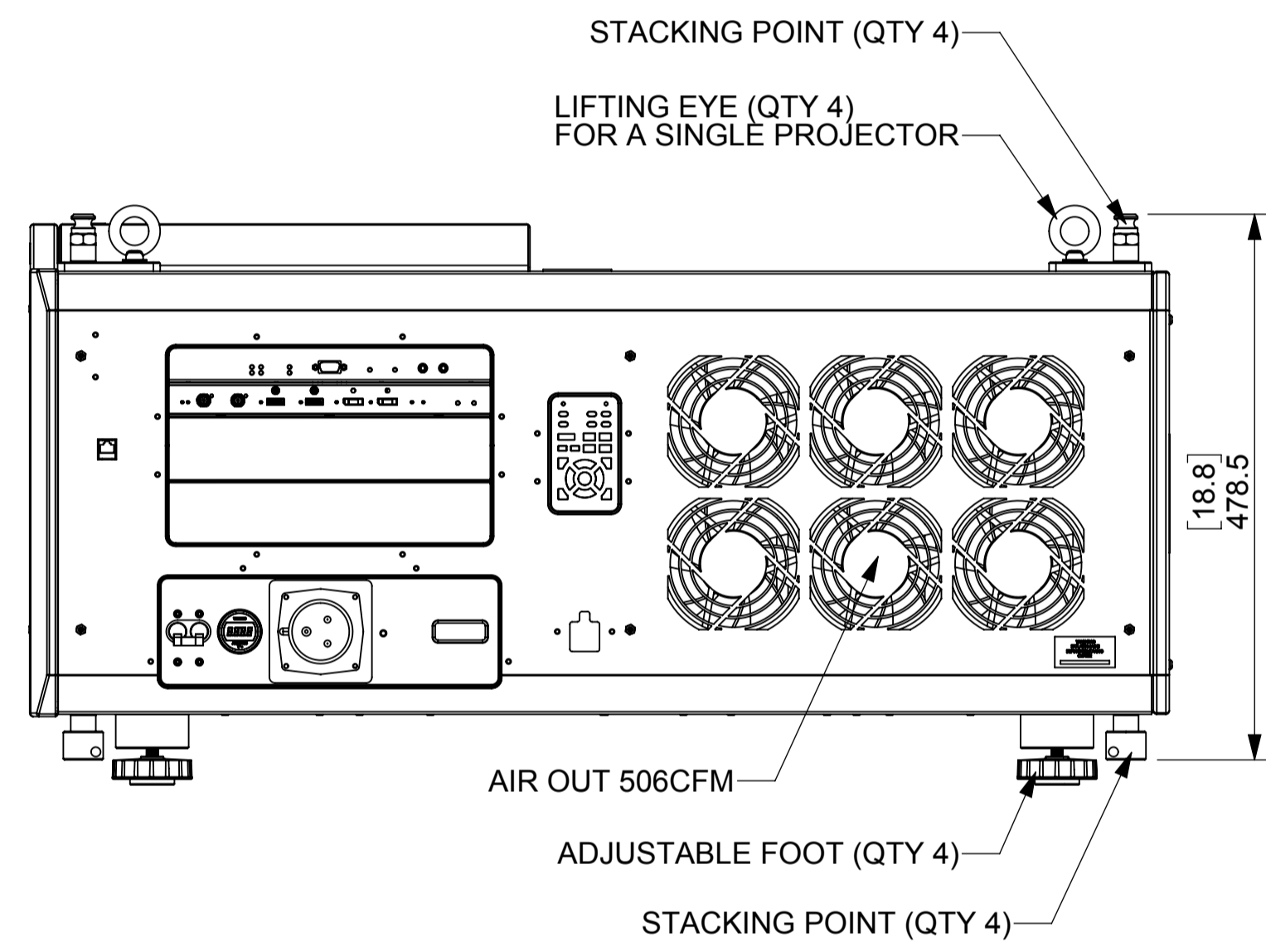
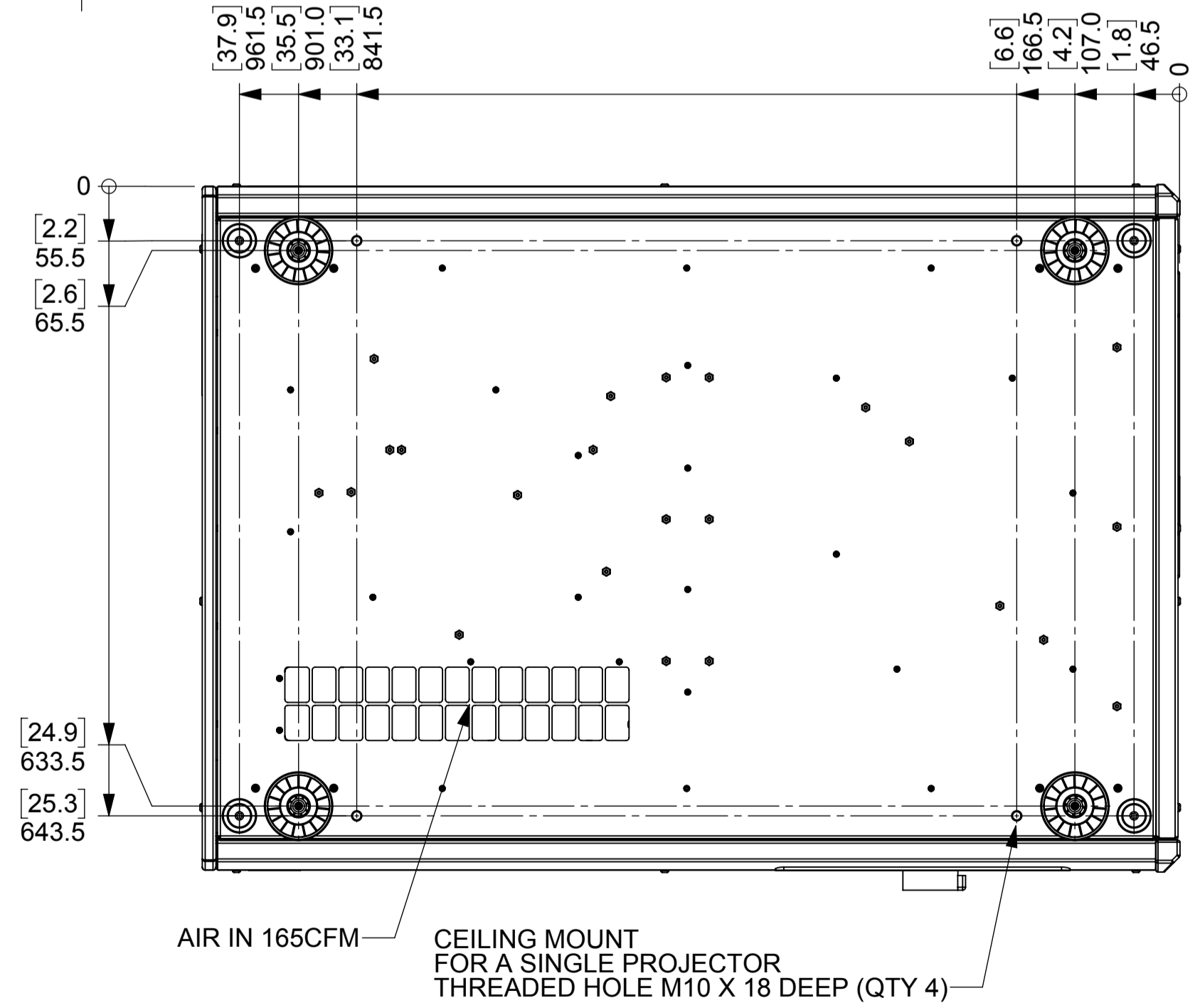
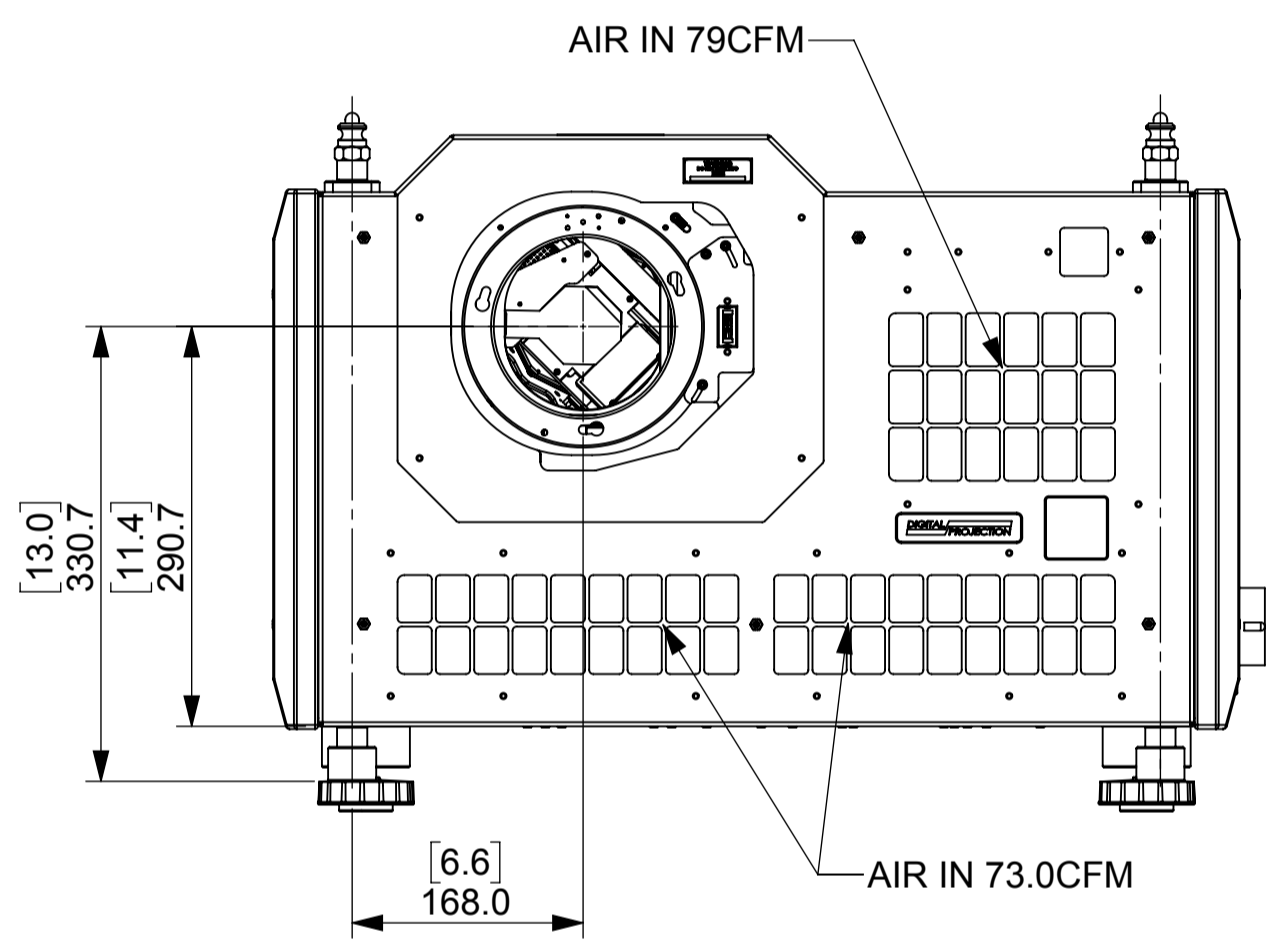
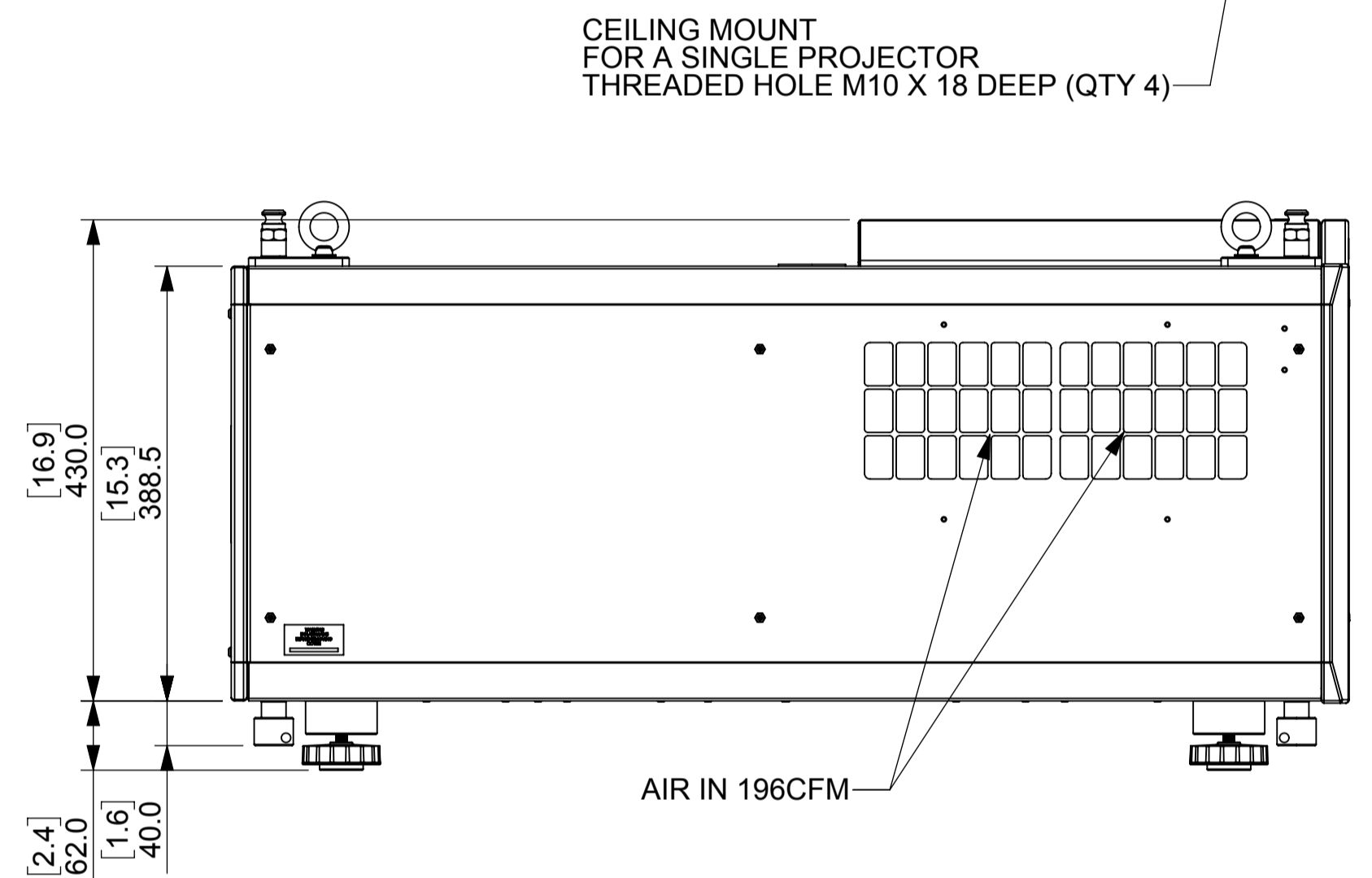


IF IN DOUBT, ASK.

AT DRG No.  
 PROPRIETARY INFORMATION  
 This drawing is the property of the manufacturer and is not to be reproduced, stored in a retrieval system, or transmitted in any form or by any means, electronic, mechanical, photocopying, recording, or by any information storage and retrieval system, without the prior written permission of the manufacturer.  
 DRAWN BS 208  
 Distribution Code



Part No	Description	Extension
117-310A	Lens Assembly, 4K 0.93:1	257mm (10.1in)
115-627A	Lens Assembly, 4K 1.13-1.72:1	225mm (8.9in)
115-630A	Lens Assembly, 4K 1.65-2.60:1	195mm (7.7in)
115-632A	Lens Assembly, 4K 2.53-4.98:1	195mm (7.7in)



PRE REVS	ITEM	DESCRIPTION	REFER TO	NO OF	REMARKS
7					
6					
5					
4					
3					
2					
1					

MATERIAL	CODE	FINISH

CAD GENERATED DRAWING  
 DO NOT MAKE MANUAL CHANGES  
 LAST CHANGE  
 DATE OF ISSUE 16-03-18

TOLERANCES UNLESS OTHERWISE STATED	UNLESS OTHERWISE STATED	DIMENSIONS IN MILLIMETRES
METRIC: 1.000 ± 0.01	REMOVE ALL BURRS & SHARP EDGES. DO NOT SCALE DRAWING. THE SURFACE TEXTURE (ROUGHNESS NUMBER OR FINISH) SURFACES SHOULD BE EQUAL TO OR LESS THAN 8.0µm (NI CLAS2)	
1.0 ± 0.2		
1 ± 0.4		
IMPERIAL: Fractional ± 0.004	REV. 04	
Decimal ± 0.005	DRAWN ddambrook	
ANGLES ± 0° 30'	APP.DD.	
	DATE 16-03-18	

FIRST USED ON  
 ORIGINAL SCALE 1:1  
 DRAWN ddambrook  
 APP.ENG.  
 DATE 22-12-15

TITLE	COMPONENT OR DRG. No.
DIGITAL PROJECTION MIDDLETON M24 1XX PROJECTOR, INSIGHT 4K DUAL LASER	117-500