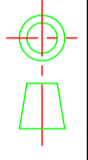


IF IN DOUBT, ASK.

A2 DRG. No.

PROPRIETARY INFORMATION
This document contains proprietary information which is loaned to you in confidence for a specific purpose. It shall not be reproduced, stored in a retrieval system, or transmitted in any form or by any means, electronic, mechanical, photocopying, recording, or otherwise, without the prior written permission of Digital Projection Ltd. It shall be returned immediately upon request.

DRAWN BS 308
3rd Angle Projection



Distribution Code

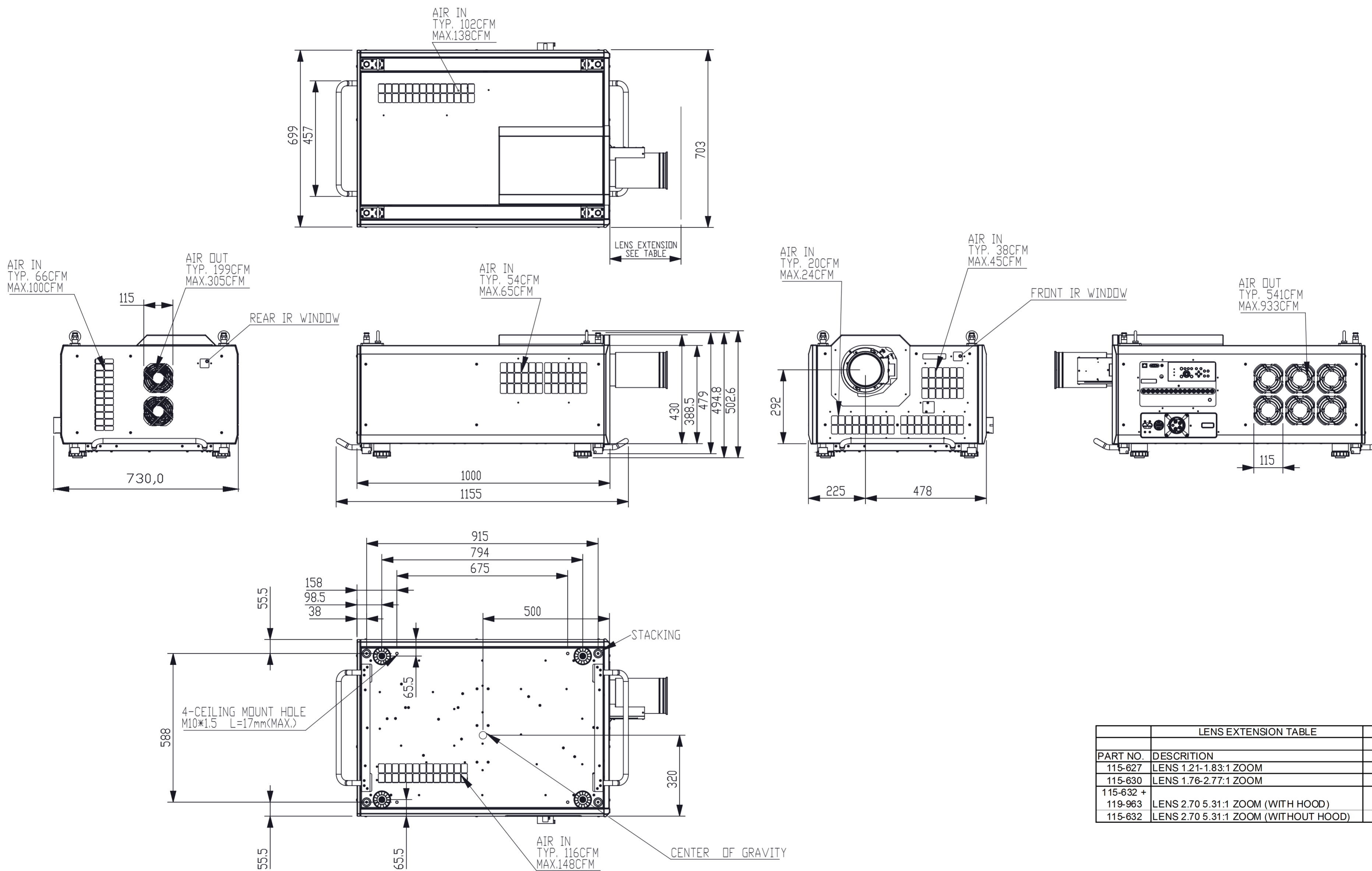
PRE REVS	ITEM	DESCRIPTION	REFER TO	No OFF	REMARKS
7					
6					
5					
4					
3					
2					
1					

MATERIAL	
CODE	
FINISH	

CAD GENERATED DRAWING DO NOT MAKE MANUAL CHANGES
LAST CHANGE

TOLERANCES UNLESS OTHERWISE STATED	Unless Otherwise Stated	DIMENSIONS IN MILLIMETRES
METRIC: 1.000 ±0.01 1.00 ±0.1 1.0 ±0.2 1 ±0.4	REMOVE ALL BURRS & SHARP EDGES. DO NOT SCALE DRAWING THE SURFACE TEXTURE ROUGHNESS NUMBER OF MACHINED SURFACES SHOULD BE EQUAL TO OR LESS THAN 0.8um (N6 CLA32)	FIRST USED ON
IMPERIAL: Fractional ±1/64" Decimal ± 0.005"	REV. A	ORIGINAL SCALE 1:11
ANGLES ± 0° 30'	NOTE	DRAWN jchamley
	APP.DO.	DATE 14-09-18

DIGITAL PROJECTION		MIDDLETON M24 1XX
TITLE	SEE ABOVE	COMPONENT OR DRG.No. SEE ABOVE
DATE	14-09-18	A2-SHEET 1 OF 1



LENS EXTENSION TABLE		
PART NO.	DESCRIPTION	EXT DIM
115-627	LENS 1.21-1.83:1 ZOOM	227.6mm
115-630	LENS 1.76-2.77:1 ZOOM	198.8mm
115-632 + 119-963	LENS 2.70 5.31:1 ZOOM (WITH HOOD)	350.5mm
115-632	LENS 2.70 5.31:1 ZOOM (WITHOUT HOOD)	196.7mm

PART NO.	DESCRIPTION
119-529	PROJECTOR, INSIGHT LASER 8K, EMEA/CHINA
119-530	PROJECTOR, INSIGHT LASER 8K, USA