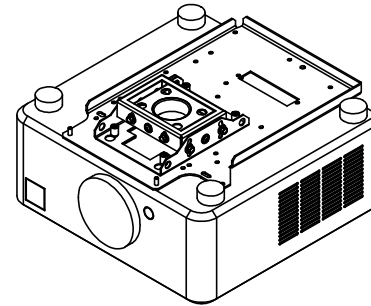
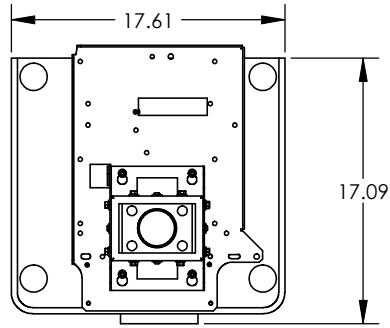
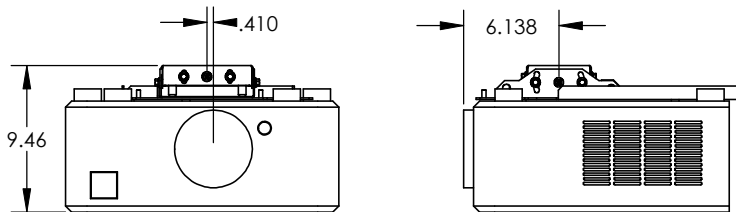


DRAWING REVISION BLOCK						
REV	ECO	DESCRIPTION	DRAWN	CHECKED	APPROVED	DATE
A	-	RELEASE FOR PRODUCTION	JHW			5/17/2010
B	ECO-1000	PROJECTOR MOUNTING HOLE POSITIONS CHANGED; RESULTING IN CENTER TO LENS DIM CHANGE	JHW			8/25/2011



ISOMETRIC VIEW



ITEM NO	QTY	PART NO	DESCRIPTION
1	1	8072-12420	PCM PLATE MVISION SERIES
2	1	8072-50000	SMALL ADJUSTABLE MOUNT
3	1	-	MVISION Cine
4	1	-	MVISION Cine LED
5	1	-	HIGHLite Cine 260
6	1	-	MVISION 260
7	1	-	MVISION Cine 400
8	1	-	E-Vision
9	1	-	DPI CINE 3D
10	4	72-255SD	THUMB NUT FOR STAT MNTS
11	4	5950-10500	M4, FL WASHER, STL, ZI
12	4	5950-10950	M4, LK WASHER, STL, ZI
13	4	5900-25150	M4 X 0.8 X 12, PH, P, STL, ZI
14	8	5950-14000	1/4, FL WASHER, NYLON, BLK
15	4	5950-14500	M6, FL WASHER, STL, ZI
16	4	5950-11100	M6, LK WASHER, STL, ZI
17	4	5900-27600	M6 X 0.8 X 16, PH, P, ZI

5. ALL THREADS TO BE FREE OF POWDER COAT AND, OR PAINT.

4. DEBUR ALL SHARP EDGES.

3. X = ITEM CHANGED AT LAST REVISION.

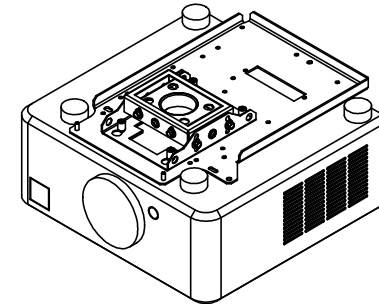
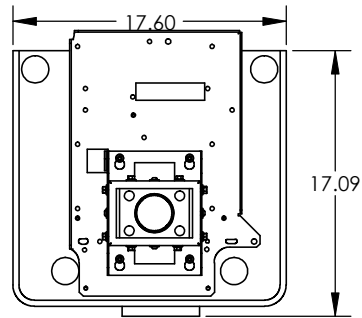
2. ALL DIMENSIONS ARE IN INCHES.

1. DO NOT SCALE DRAWING.

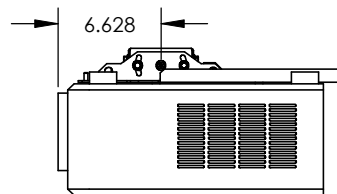
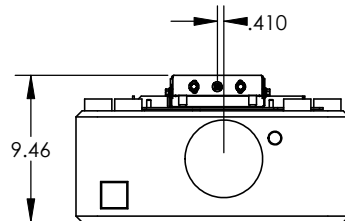
NOTES: UNLESS OTHERWISE SPECIFIED

**SHOWN WITH CUSTOMER
SUPPLIED PROJECTOR
MVISION CINE LED**

THE INFORMATION CONTAINED IN THIS DRAWING IS THE PROPERTY OF DISPLAY DEVICES, INC. ANY REPRODUCTION IN PART OR WHOLE WITHOUT THE WRITTEN PERMISSION OF DISPLAY DEVICES, INC IS PROHIBITED.		UNLESS OTHERWISE SPECIFIED DIMENSIONS ARE IN INCHES. TOLERANCES: .XX = ± .02 .XXX = ± .010 .XXXX = ± .0050 ANGLE = ± 0.5		DISPLAY DEVICES 5880 SHERIDAN BLVD ARVADA, CO 80003	
DRAWN: JHW		DATE: 5/17/2010		TITLE: PCM ASSY	
CHECKED:		DATE:		MVISION SERIES PROJECTORS	
MATERIAL: -		SCALE: NONE		DRAWING NO.: 9072-12410	
FINISH: -		FILE NAME: 72-1241.SLDDRW		REV: B	
				SHEET 1 OF 7	

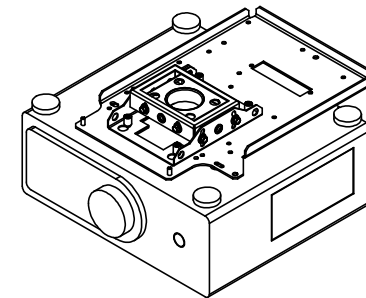
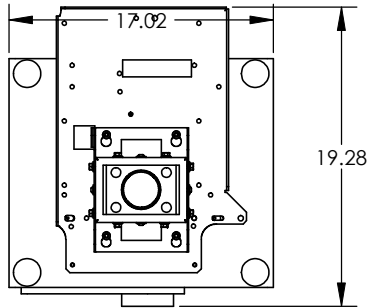


ISOMETRIC VIEW

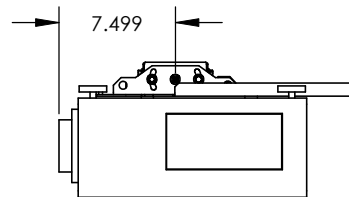
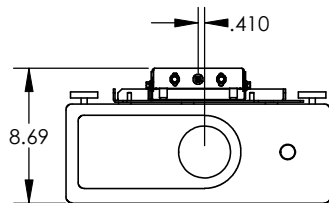


SHOWN WITH CUSTOMER
SUPPLIED PROJECTOR
MVISION CINE 260

THE INFORMATION CONTAINED IN THIS DRAWING IS THE PROPERTY OF DISPLAY DEVICES, INC. ANY REPRODUCTION IN PART OR WHOLE WITHOUT THE WRITTEN PERMISSION OF DISPLAY DEVICES, INC IS PROHIBITED		UNLESS OTHERWISE SPECIFIED DIMENSIONS ARE IN INCHES. TOLERANCES: .XX = ± .02 .XXX = ± .010 .XXXX = ± .0050 ANGLE = ± 0.5		DISPLAY DEVICES 5880 SHERIDAN BLVD ARVADA, CO 80003	
		TITLE PCM ASSY MVISION SERIES PROJECTORS			
DRAWN	JHW	DATE	5/17/2010	SIZE	DRAWING NO.
CHECKED		DATE		B	9072-12410
MATERIAL	-	SCALE	NONE	FILE NAME	72-1241.SLDDRW
FINISH	-				SHEET 2 OF 7

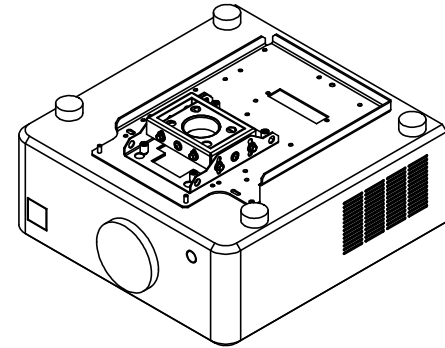
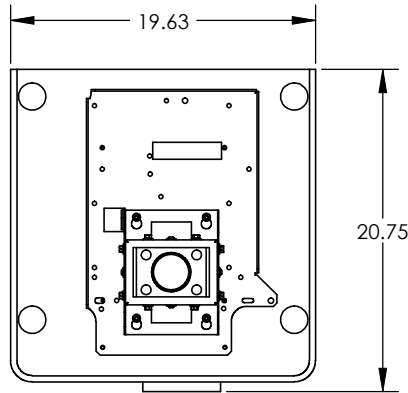


ISOMETRIC VIEW

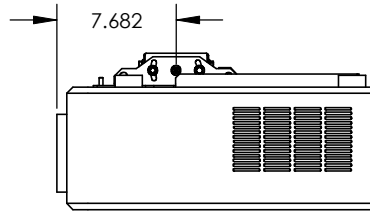
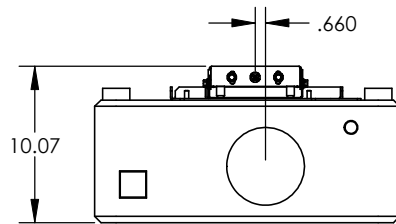


**SHOWN WITH CUSTOMER
SUPPLIED PROJECTOR
MVISION 260**

THE INFORMATION CONTAINED IN THIS DRAWING IS THE PROPERTY OF DISPLAY DEVICES, INC. ANY REPRODUCTION IN PART OR WHOLE WITHOUT THE WRITTEN PERMISSION OF DISPLAY DEVICES, INC IS PROHIBITED		UNLESS OTHERWISE SPECIFIED DIMENSIONS ARE IN INCHES. TOLERANCES: .XX = ± .02 .XXX = ± .010 .XXXX = ± .0050 ANGLE = ± 0.5		DISPLAY DEVICES 5880 SHERIDAN BLVD ARVADA, CO 80003	
		TITLE PCM ASSY MVISION SERIES PROJECTORS			
DRAWN	JHW	DATE	5/17/2010	SIZE	DRAWING NO.
CHECKED		DATE		B	9072-12410
MATERIAL	-	SCALE	NONE	FILE NAME	72-1241.SLDDRW
FINISH	-				SHEET 3 OF 7

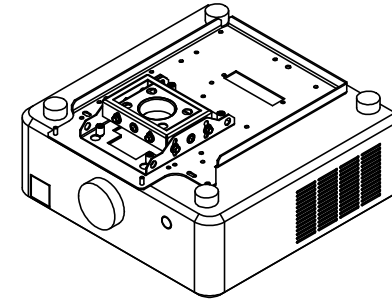
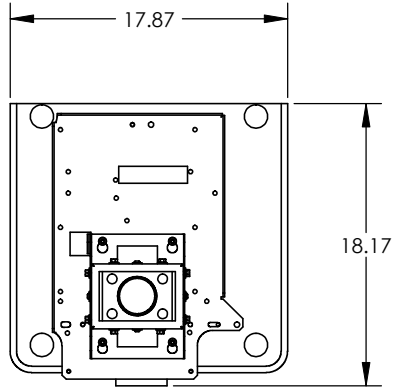


ISOMETRIC VIEW

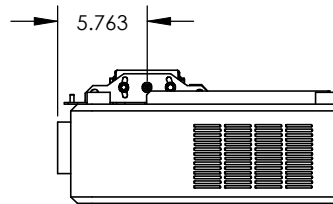
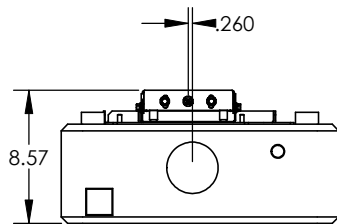


**SHOWN WITH CUSTOMER
SUPPLIED PROJECTOR
HIGHLITE CINE 260**

THE INFORMATION CONTAINED IN THIS DRAWING IS THE PROPERTY OF DISPLAY DEVICES, INC. ANY REPRODUCTION IN PART OR WHOLE WITHOUT THE WRITTEN PERMISSION OF DISPLAY DEVICES, INC IS PROHIBITED		UNLESS OTHERWISE SPECIFIED DIMENSIONS ARE IN INCHES. TOLERANCES: .XX = ± .02 .XXX = ± .010 .XXXX = ± .0050 ANGLE = ± 0.5		DISPLAY DEVICES 5880 SHERIDAN BLVD ARVADA, CO 80003	
		TITLE PCM ASSY MVISION SERIES PROJECTORS			
DRAWN	JHW	DATE	5/17/2010	SIZE	DRAWING NO.
CHECKED		DATE		B	9072-12410
MATERIAL	-			SCALE	FILE NAME
FINISH	-			NONE	72-1241.SLDDRW
				REV	B
				SHEET 4 OF 7	

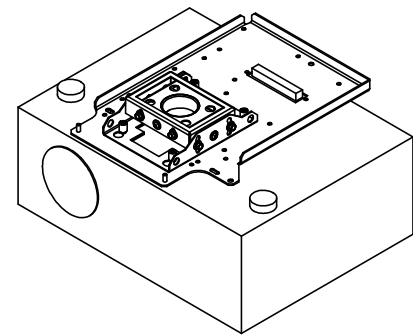
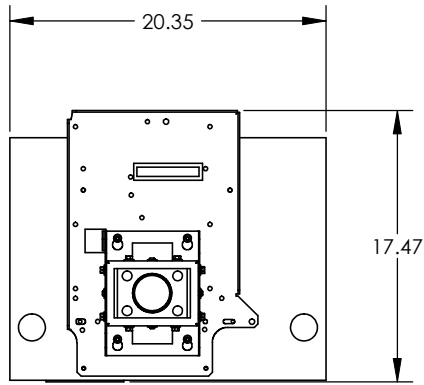


ISOMETRIC VIEW

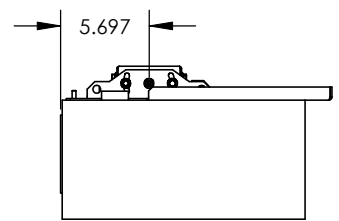
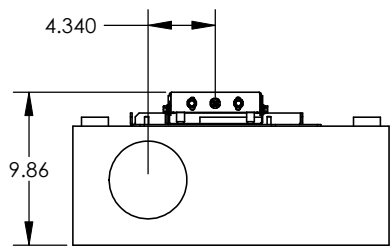


**SHOWN WITH CUSTOMER
SUPPLIED PROJECTOR
MVision CINE 400**

THE INFORMATION CONTAINED IN THIS DRAWING IS THE PROPERTY OF DISPLAY DEVICES, INC. ANY REPRODUCTION IN PART OR WHOLE WITHOUT THE WRITTEN PERMISSION OF DISPLAY DEVICES, INC IS PROHIBITED		UNLESS OTHERWISE SPECIFIED DIMENSIONS ARE IN INCHES. TOLERANCES: .XX = ± .02 .XXX = ± .010 .XXXX = ± .0050 ANGLE = ± 0.5		DISPLAY DEVICES 5880 SHERIDAN BLVD ARVADA, CO 80003	
		PCM ASSY MVISION SERIES PROJECTORS			
DRAWN	JHW	DATE	5/17/2010	SIZE	DRAWING NO.
CHECKED		DATE		B	9072-12410
MATERIAL	-			SCALE	FILE NAME
FINISH	-			NONE	72-1241.SLDDRW
				REV	B
				SHEET 5 OF 7	

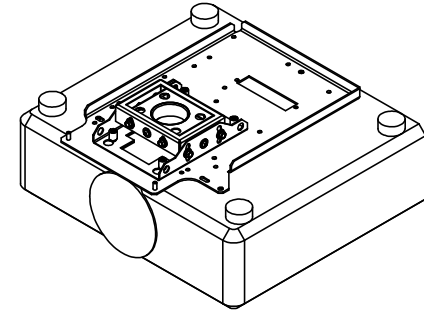
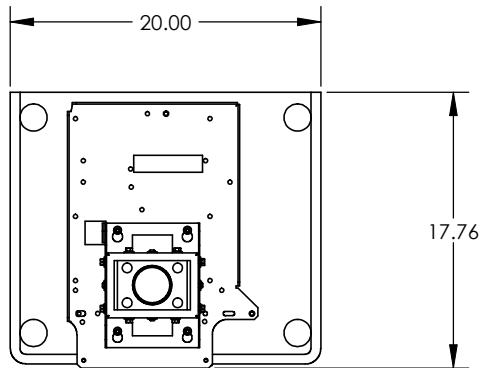


ISOMETRIC VIEW

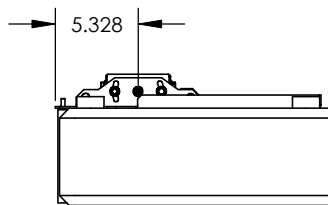
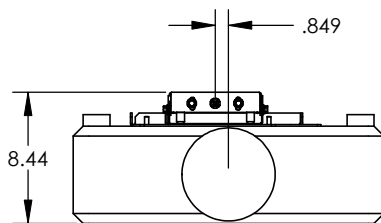


**SHOWN WITH CUSTOMER
SUPPLIED PROJECTOR
Evision**

THE INFORMATION CONTAINED IN THIS DRAWING IS THE PROPERTY OF DISPLAY DEVICES, INC. ANY REPRODUCTION IN PART OR WHOLE WITHOUT THE WRITTEN PERMISSION OF DISPLAY DEVICES, INC IS PROHIBITED		UNLESS OTHERWISE SPECIFIED DIMENSIONS ARE IN INCHES. TOLERANCES: .XX = ± .02 .XXX = ± .010 .XXXX = ± .0050 ANGLE = ± 0.5		DISPLAY DEVICES 5880 SHERIDAN BLVD ARVADA, CO 80003	
		PCM ASSY MVISION SERIES PROJECTORS			
DRAWN	JHW	DATE	5/17/2010	SIZE	DRAWING NO.
CHECKED		DATE		B	9072-12410
MATERIAL	-			SCALE	FILE NAME
FINISH	-			NONE	72-1241.SLDDRW
				REV	B
				SHEET 6 OF 7	



ISOMETRIC VIEW



SHOWN WITH CUSTOMER
SUPPLIED PROJECTOR
CINE 3D

THE INFORMATION CONTAINED IN THIS DRAWING IS THE PROPERTY OF DISPLAY DEVICES, INC. ANY REPRODUCTION IN PART OR WHOLE WITHOUT THE WRITTEN PERMISSION OF DISPLAY DEVICES, INC IS PROHIBITED		UNLESS OTHERWISE SPECIFIED DIMENSIONS ARE IN INCHES. TOLERANCES: .XX = ± .02 .XXX = ± .010 .XXXX = ± .0050 ANGLE = ± 0.5		DISPLAY DEVICES 5880 SHERIDAN BLVD ARVADA, CO 80003	
		TITLE PCM ASSY MVISION SERIES PROJECTORS			
DRAWN	JHW	DATE	5/17/2010	SIZE	B
CHECKED		DATE		DRAWING NO.	9072-12410
MATERIAL	-	SCALE	NONE	FILE NAME	72-1241.SLDDRW
FINISH	-			REV	B
					SHEET 7 OF 7