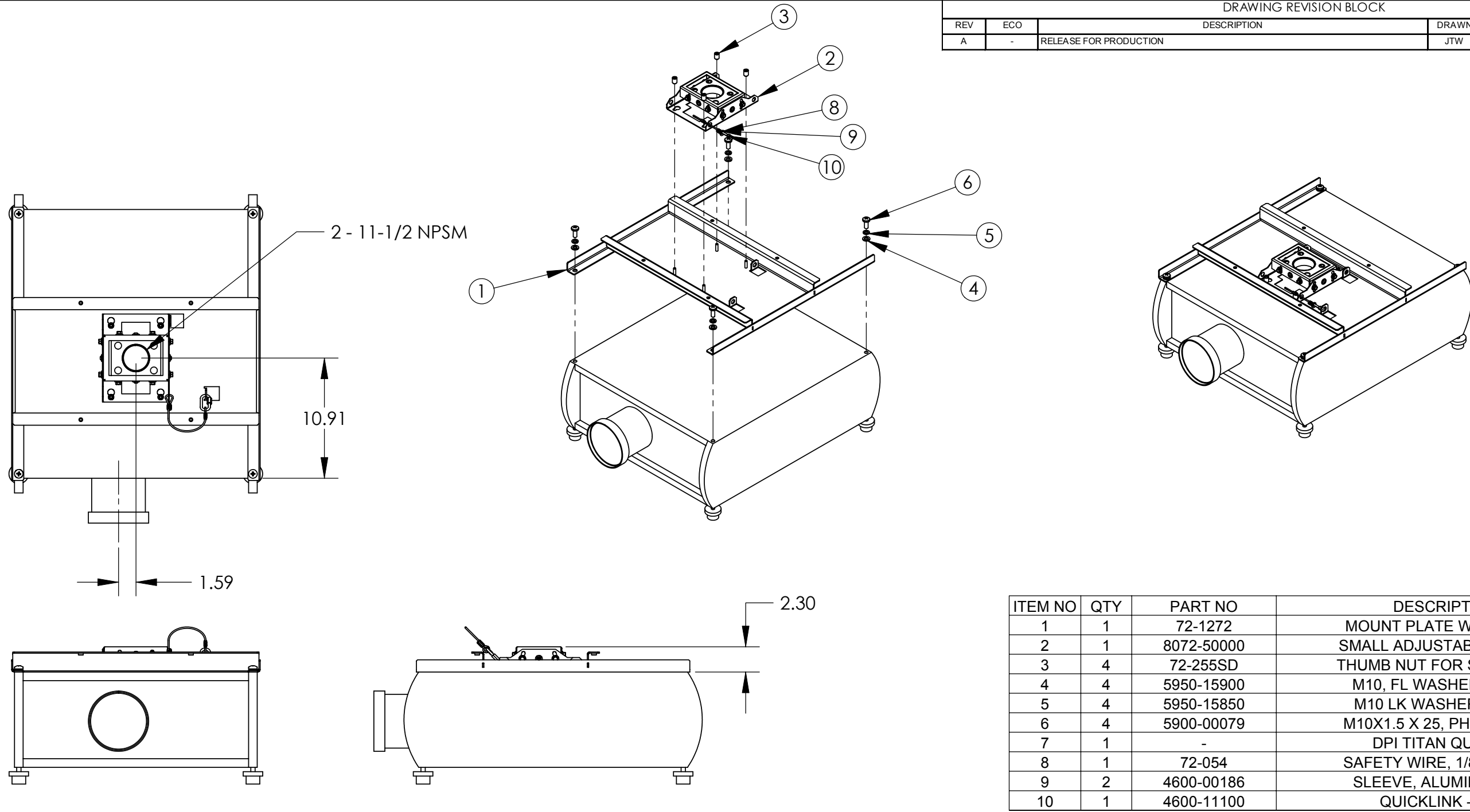


DRAWING REVISION BLOCK

REV	ECO	DESCRIPTION	DRAWN	CHECKED	APPROVED	DATE
A	-	RELEASE FOR PRODUCTION	JTW			6/6/2011



ITEM NO	QTY	PART NO	DESCRIPTION
1	1	72-1272	MOUNT PLATE WELDMNT
2	1	8072-50000	SMALL ADJUSTABLE MOUNT
3	4	72-255SD	THUMB NUT FOR STAT MNTS
4	4	5950-15900	M10, FL WASHER, STL, ZI
5	4	5950-15850	M10 LK WASHER, STL, ZI
6	4	5900-00079	M10X1.5 X 25, PH, P, STL, ZI
7	1	-	DPI TITAN QUAD 3D
8	1	72-054	SAFETY WIRE, 1/8 DIA X 12"
9	2	4600-00186	SLEEVE, ALUMINUM, 1/8"
10	1	4600-11100	QUICKLINK - 3/16"

- 5. ALL THREADS TO BE FREE OF POWDER COAT AND, OR PAINT.
- 4. DEBUR ALL SHARP EDGES.
- 3. ☒ = ITEM CHANGED AT LAST REVISION.
- 2. ALL DIMENSIONS ARE IN INCHES.
- 1. DO NOT SCALE DRAWING.

NOTES: UNLESS OTHERWISE SPECIFIED

THE INFORMATION CONTAINED IN THIS DRAWING IS THE PROPERTY OF DISPLAY DEVICES, INC. ANY REPRODUCTION IN PART OR WHOLE WITHOUT THE WRITTEN PERMISSION OF DISPLAY DEVICES, INC IS PROHIBITED.		UNLESS OTHERWISE SPECIFIED DIMENSIONS ARE IN INCHES. TOLERANCES: .XX = ± .02 .XXX = ± .010 .XXXX = ± .0050 ANGLE = ± 0.5		<b>DISPLAY DEVICES</b> 5880 SHERIDAN BLVD ARVADA, CO 80003	
TITLE <b>PCM ASY - DPI TITAN QUAD 3D</b>				DRAWING NO. <b>72-1271</b>	REV <b>A</b>
DRAWN JTW	DATE 6/3/2011	SIZE <b>B</b>	FILE NAME 72-1271.SLDDRW		
CHECKED	DATE	SCALE NONE	SHEET 1 OF 1		
MATERIAL -	FINISH -				