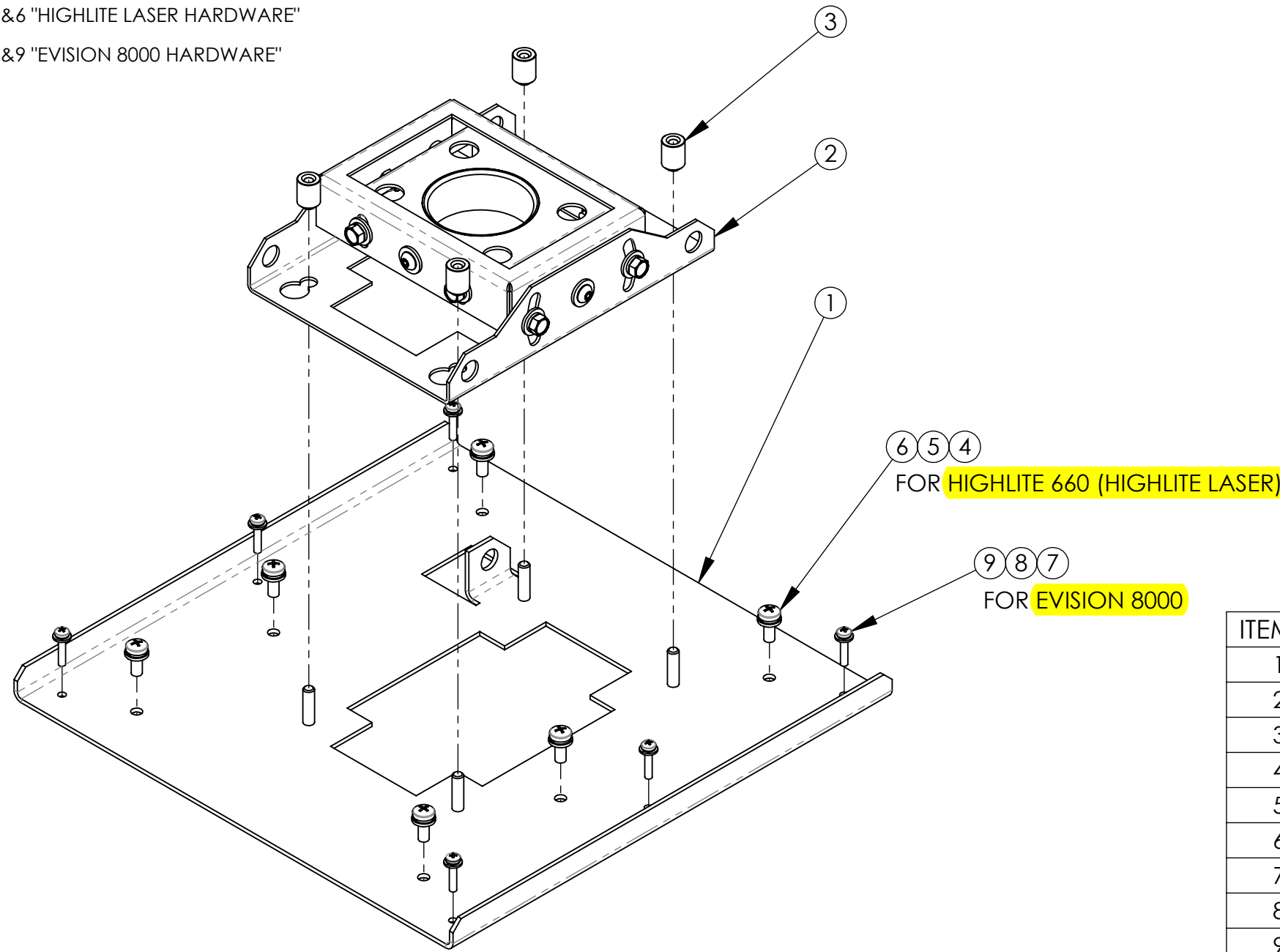



NOTES:

1. DEBUR ALL SHARP EDGES.
2. ALL THREADS TO BE FREE OF POWDER COAT AND, OR PAINT.
3. Δ INDICATES CHANGE AT LAST REVISION
4. BAG & TAG ITEMS 4,5,&6 "HIGHLITE LASER HARDWARE"
5. BAG & TAG ITEMS 7,8,&9 "EVISION 8000 HARDWARE"

REVISIONS				
ECO	REV.	DESCRIPTION	DRAWN BY	DATE
	A	INITIAL RELEASE	JMH	6-28-12
	B	CORRECTED HARDWARE LENGTH	JTW	11-4-14



ITEM #	QTY	PART #	DESCRIPTION
1	1	72-1315	MOUNT PLATE
2	1	8072-50000	SMALL ADJUSTABLE MOUNT
3	4	72-255SD	THUMB NUT FOR STAT MNTS
4	6	5950-14500	M6, FL WASHER, STL, ZI
5	6	5950-11100	M6, LK WASHER, STL, ZI
6	6	5900-27600	M6 X 0.8 X 16, PH, P, ZI
7	6	5950-10500	M4, FL WASHER, STL, ZI
8	6	5950-10950	M4, LK WASHER, STL, ZI
9	6	5900-26550	M4 X 0.7 X 20, PH, P, STL, ZI

UNLESS OTHERWISE SPECIFIED:  
 DIMENSIONS ARE IN INCHES  
 TOLERANCES:  
 .XX = ± .020  
 .XXX = ± .010  
 ANGLE  
 MACHINE: ± .5° BEND: ± 2°  
 INTERPRET DRAWING PER Y14.100.  
 DIMENSIONS AND TOLERANCES  
 ARE IN ACCORDANCE WITH  
 ASME Y14.5 - 2009.  
 THIRD ANGLE PROJECTION  
  
 DO NOT SCALE DRAWING

DRAWN BY  
 JMH  
 MATERIAL  
 FINISH  
**PROPRIETARY AND CONFIDENTIAL**  
 THE INFORMATION CONTAINED IN THIS  
 DRAWING IS THE SOLE PROPERTY OF  
 DISPLAY DEVICES, INC. ANY  
 REPRODUCTION IN PART OR AS A WHOLE  
 WITHOUT THE WRITTEN PERMISSION OF  
 DISPLAY DEVICES, INC IS PROHIBITED.

**DISPLAY DEVICES, INC**  
 GOLDEN, CO

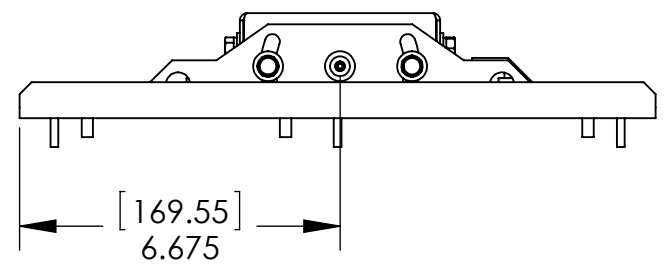
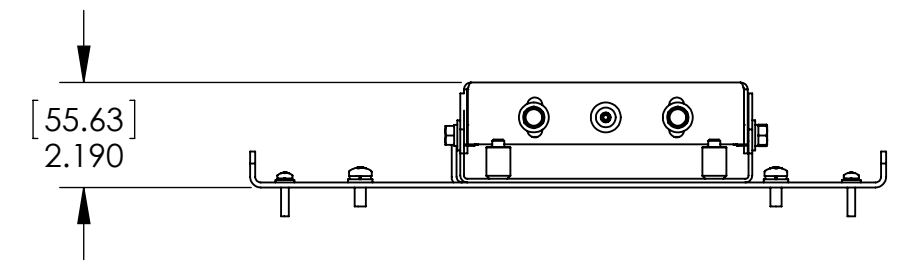
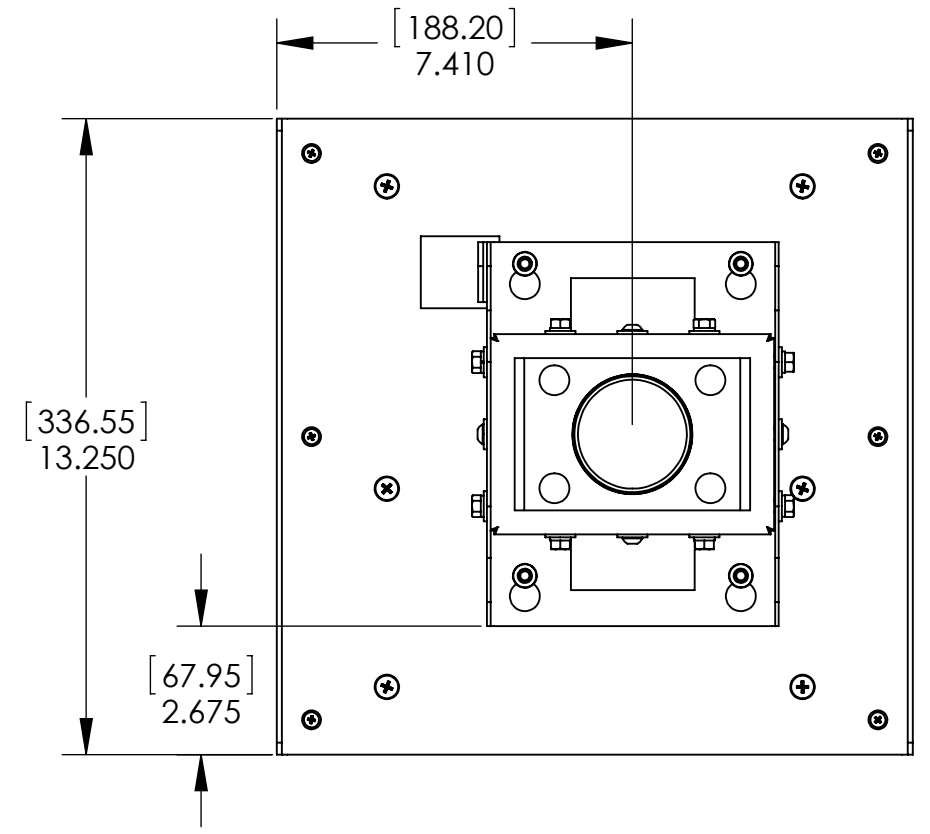
TITLE:  
**PCM ASSY FOR DPI EVISION  
 8000 & HIGHLITE 660**

SIZE <b>B</b>	DWG. NO. <b>72-1319</b>	REV <b>B</b>
------------------	----------------------------	-----------------

SCALE: 1:8 SHEET 1 OF 2

8 7 6 5 4 3 2 1

D  
C  
B  
A



8 7 6 5 4 3 2 1

SIZE <b>B</b>	DWG. NO. <b>72-1319</b>	REV <b>B</b>
SCALE: 1:8		SHEET 2 OF 2