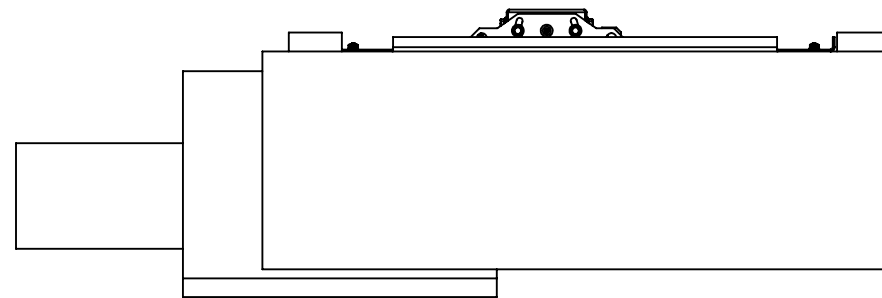
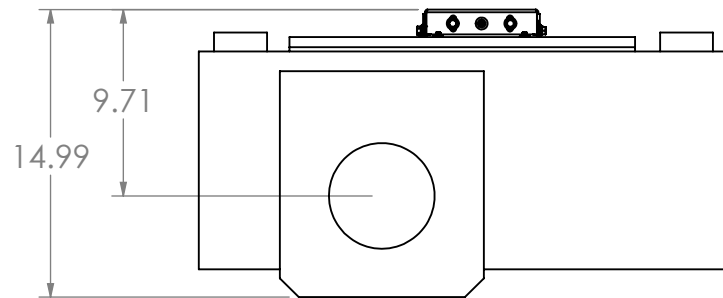
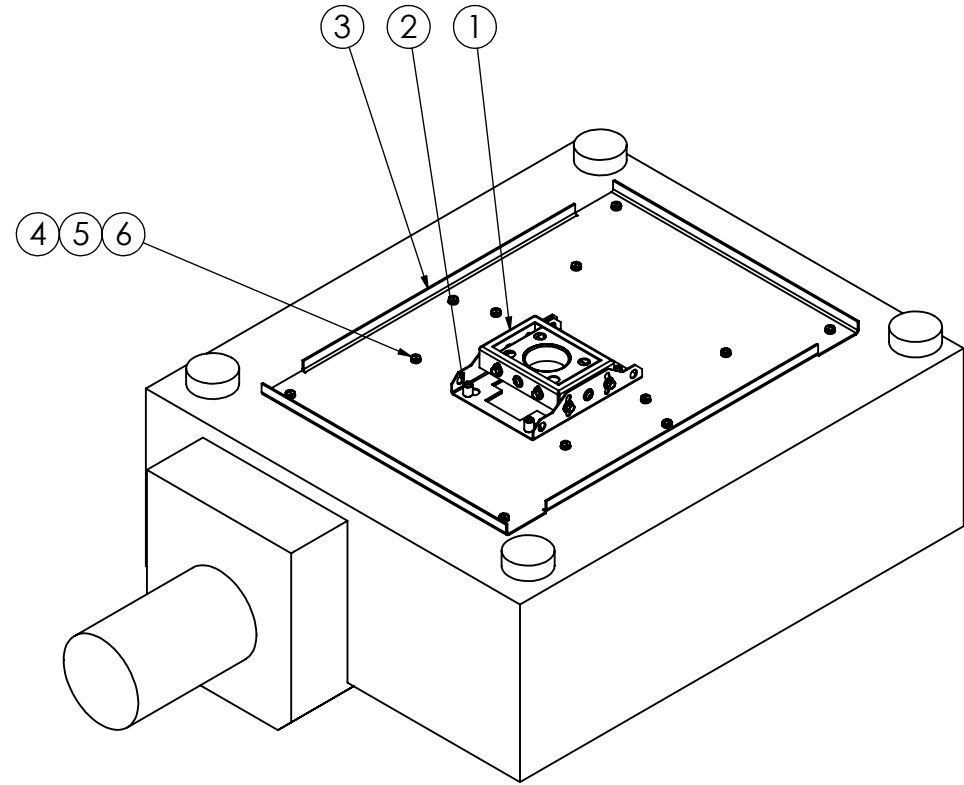
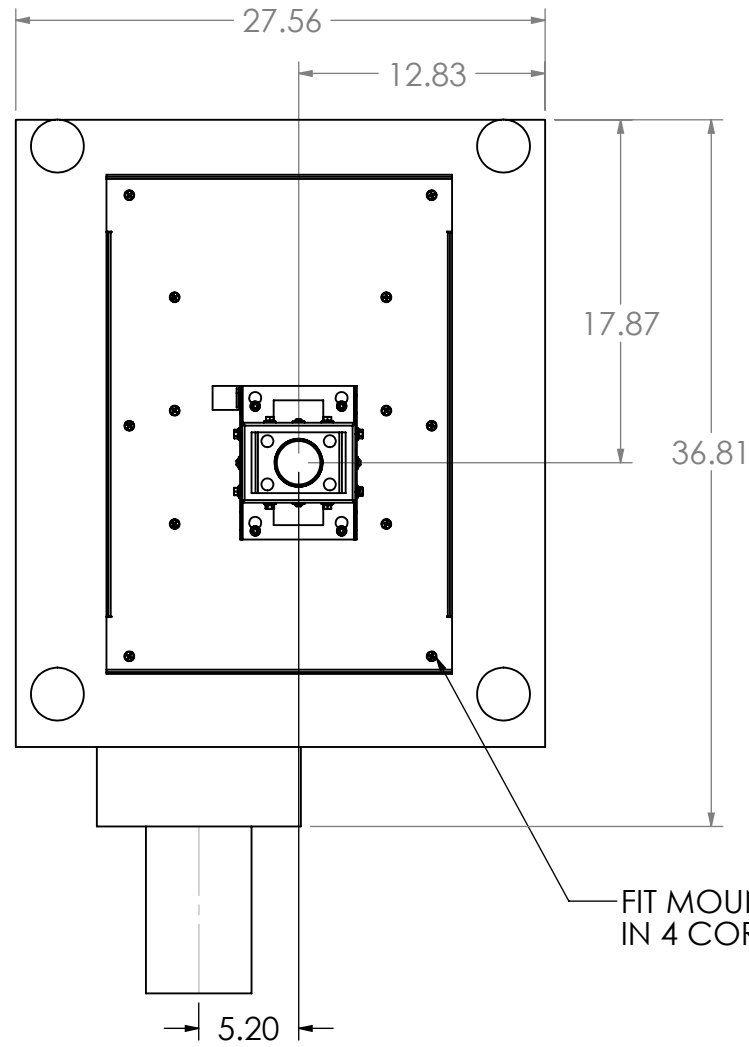


NOTES:

1. DEBUR ALL SHARP EDGES.
2. ALL THREADS TO BE FREE OF POWDER COAT AND, OR PAINT.
3. Δ INDICATES CHANGE AT LAST REVISION

REVISIONS			
REV.	DESCRIPTION	DRAWN BY	DATE
A	INITIAL RELEASE	JWITTE	8-10-15



ITEM #	QTY	PART #	PURCHASED PART #	DESCRIPTION
1	1	72-500		SMALL ADJUSTABLE MOUNT
2	4	72-255SM		THUMB NUT FOR STAT MNTS
3	1	8072-01433		PCM PLATE - DPI INSIGHT 4K LASER
4	12		5950-14500	M6, FL WASHER, STL, ZI
5	12		5950-11100	M6, LK WASHER, STL, ZI
6	12		5900-41630	M6X1.0X14, PH, P, STL, ZI
7	1			DPI INSIGHT 4K LASER

UNLESS OTHERWISE SPECIFIED:

DIMENSIONS ARE IN INCHES

TOLERANCES:

.XX = ± .020

.XXX = ± .010

.XXXX = ± .0050

ANGLE: ± .5°

INTERPRET DRAWING PER Y14.100.

DIMENSIONS AND TOLERANCES ARE IN ACCORDANCE WITH ASME Y14.5 - 2009.

THIRD ANGLE PROJECTION



DO NOT SCALE DRAWING

DRAWN BY

J WITTE

MATERIAL

FINISH

PROPRIETARY AND CONFIDENTIAL

THE INFORMATION CONTAINED IN THIS DRAWING IS THE SOLE PROPERTY OF DISPLAY DEVICES, INC. ANY REPRODUCTION IN PART OR AS A WHOLE WITHOUT THE WRITTEN PERMISSION OF DISPLAY DEVICES, INC IS PROHIBITED.

DISPLAY DEVICES, INC
GOLDEN, CO

TITLE:
PCM ASSY DPI INSIGHT 4K LASER

SIZE DWG. NO.

B 8072-01432

REV

A

SCALE: 1:10

SHEET 1 OF 1